

# Ring Illuminator

## ZFRW11-02

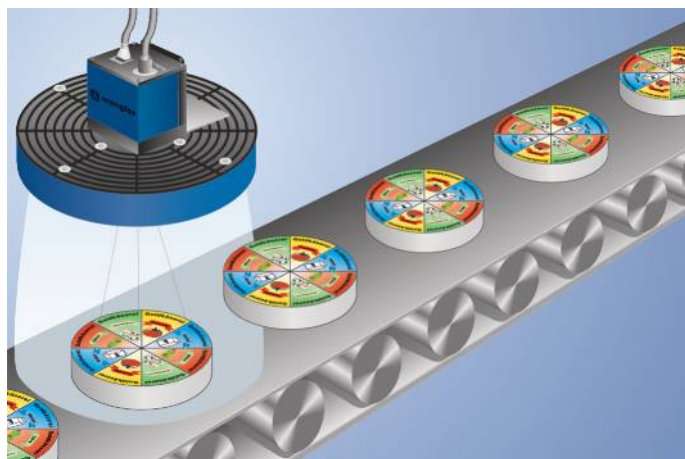
Part Number



- Flashlight mode synchronizable with image processing
- High illumination intensity
- Mounting possible directly around camera lens
- No formation of shades

The wenglor ring illuminator illuminates the application evenly.

It is especially well suited for the detection of colors and prints. Even contrasts on matt surfaces are detected very well.

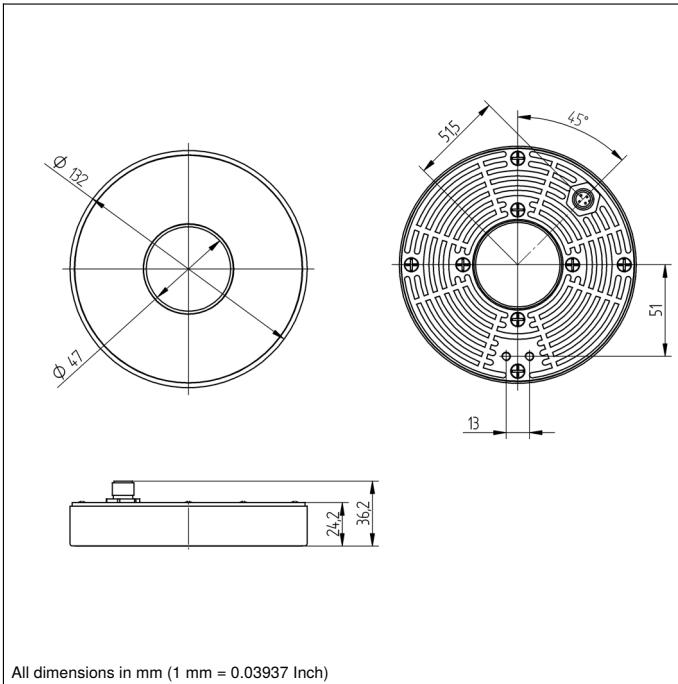


### Technical Data

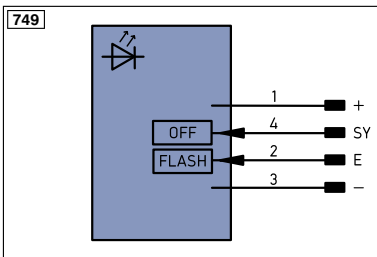
Optical Data	
Light Source	White Light
Risk Group (EN 62471)	1
Electrical Data	
Supply Voltage	22...30 V DC
Current Consumption (U <sub>b</sub> = 24 V)	< 600 mA
Temperature Range	0...60 °C
Reverse Polarity Protection	yes
Protection Class	III
Mechanical Data	
Housing Material	Plastic, AL
Degree of Protection	IP42
Connection	M12 × 1; 4-pin
Connection Diagram No.	749
Connection Table No.	32
Suitable Connection Technology No.	2
Suitable Mounting Technology No.	470   480

### Complementary Products


Connection Cable BG2BSW1-08M, ZAV89V901, ZDCG001  
Polarizing Filter ZNNG011



All dimensions in mm (1 mm = 0.03937 Inch)



#### Legend

+	Supply Voltage +	PT	Platinum measuring resistor	ENa	Encoder A
-	Supply Voltage 0 V	nc	not connected	ENb	Encoder B
~	Supply Voltage (AC Voltage)	U	Test Input	AMn	Digital output MIN
A	Switching Output (NO)	Ü	Test Input inverted	AMax	Digital output MAX
Ā	Switching Output (NC)	W	Trigger Input	Aok	Digital output OK
V	Contamination/Error Output (NO)	O	Analog Output	SY In	Synchronization In
ȳ	Contamination/Error Output (NC)	O-	Ground for the Analog Output	SY OUT	Synchronization OUT
E	Input (analog or digital)	BZ	Block Discharge	Out	Brightness output
T	Teach Input	AMV	Valve Output		
Z	Time Delay (activation)	a	Valve Control Output +		<b>Wire Colors according to DIN IEC 757</b>
S	Shielding	b	Valve Control Output 0 V	BK	Black
RxD	Interface Receive Path	SY	Synchronization	BN	Brown
TxD	Interface Send Path	E+	Receiver-Line	RD	Red
RDY	Ready	S+	Emitter-Line	OG	Orange
GND	Ground	±	Grounding	YE	Yellow
CL	Clock	SrR	Switching Distance Reduction	GN	Green
E/A	Output/Input programmable	Rx+/-	Ethernet Receive Path	BU	Blue
	<b>IO-Link</b>	Tx+/-	Ethernet Send Path	VT	Violet
PoE	Power over Ethernet	Exe	Interfaces-Bus A(+)/B(-)	GY	Grey
IN	Safety Input	La	Emitted Light disengageable	WH	White
OSSD	Safety Output	Mag	Magnet activation	PK	Pink
Signal	Signal Output	RES	Input confirmation	GNYE	Green Yellow
M	Maintenance	EDM	Contactors Monitoring		

