

PATLITE® LKEH Series Signal Towers

Features

- Large signal horn and light tower combination
- Ultra-bright LEDs with 100mm lens
- Alarm volume up to 105dB
- Meets IP53 standards
- Designed to operate in temperatures from
- -10 to +50°C [+14 to +122°F]
- Body length from 265 to 445mm [10.4 to 17.5 inches]
- Available in both PNP and NPN polarity
- Defaults to 1-4 tiers of lights, depending on model
- 32 standard alarms
- Optional SD card for field configuration (sold separately)



LKEH Series Signal Towers									
Part Number	Price	Drawing Link	Description	Polarity	Number of Lights	Light Color	Body Color	Body Length mm [in]	Diameter
LKEH-102FEPUL-R	\$463.00	PDF	Signal tower with continuous or flashing lights, 32 alarms.	PNP	1	Red	Light gray	265.2 [10.4]	100mm
LKEH-102FEUL-R	\$445.00	PDF		NPN					
LKEH-202FEPUL-RG	\$526.00	PDF		PNP	2	Red, green		325.3 [12.8]	
LKEH-202FEUL-RG	\$516.00	PDF		NPN					
LKEH-302FEPUL-RYG	\$612.00	PDF		PNP	3	Red, amber, green		385.4 [15.2]	
LKEH-302FEUL-RYG	\$612.00	PDF		NPN					
LKEH-402FEPUL-RYGB	\$894.00	PDF		PNP	4	Red, amber, green, blue		445.5 [17.5]	
LKEH-402FEUL-RYGB	\$924.00	PDF		NPN					

LKEH Series Accessories			
Part Number	Price	Drawing Link	Description
B72100151-1F1	\$144.00	N/A	100mm red LED module with colored lens
B72100151-2F1	\$144.00	N/A	100mm amber LED module with colored lens
B72100151-3F1	\$144.00	N/A	100mm green LED module with colored lens
B72100151-4F1	\$241.00	N/A	100mm blue LED module with colored lens
B72100151-7F1	\$241.00	N/A	100mm white LED module with clear lens
B62910033-1F2	\$8.75	N/A	1-tier center screw for use with LKEH series signal towers
B62910033-2F2	\$8.75	N/A	2-tier center screw for use with LKEH series signal towers
B62910033-3F2	\$11.00	N/A	3-tier center screw for use with LKEH series signal towers
B62910033-4F2	\$11.00	N/A	4-tier center screw for use with LKEH series signal towers
B32310054-F1	\$17.50	N/A	Replacement head cover for LKEH series signal towers
C21100087-F1	\$33.00	N/A	Replacement option slot cover for LKEH series signal towers
SZ-008	\$30.50	PDF	Wall mount bracket for LKEH series signal towers
SDV-2GP	\$17.50	N/A	2GB micro SD card with SD adapter



[B72100151-1F1](#)



[B32310054-F1](#)



[SZ-008](#)



[C21100087-F1](#)

PATLITE® LKEH Series Signal Towers

Specifications

LKEH Series Signal Towers Technical Specifications				
Model	LKEH-102FEx-R	LKEH-202FEx-RG	LKEH-302FEx-RYG	LKEH-402FEx-RYGB
Rated Voltage	24VDC			
Operating Voltage Range	24VDC ± 10%			
Rated Power Consumption	10.6 W	12.4 W	14.2 W	16.0 W
Operating Ambient Temperature	-10°C to +50°C [+14°F to +122°F]			
Operating Ambient Humidity	Less than 85% (no condensation)			
Mounting Location	Indoors and outdoors			
Mounting Direction	Upright only			
Protection Rating	IP53			
Insulation Resistance	More than 1MΩ at 500VDC between terminals and chassis			
Withstanding Voltage	500VAC applied for 1 minute between terminals and chassis			
Vibration Resistance	19.6 m/s ² (30Hz, back and forth: 2h, right to left: 2h, up and down: 4h)			
Weight (kg [lbs])	1.4 [3.1]	1.6 [3.5]	1.8 [4.0]	2.0 [4.4]
Sound Pressure Level	Max 105dB, volume adjustable			
Sound Reduction Level	20dB ± 2dB			
Light Source	LED			
Brightness	Red (R)	2100 mcd		
	Amber (Y)	2400 mcd		
	Green (G)	5200 mcd		
	Blue (B)	700 mcd		
	White (C)	5500 mcd		
Input Interface	16 signal wires (5 LED, 8 sound, sound reduction, blinking common*, common), selection switch, SD card slot			
Number of Channels	Bit Input: 8 Binary Input: 32			
Channel Priority (bit input only)	CH8 > CH7 > CH6 > CH5 > CH4 > CH3 > CH2 > CH1			
Number of Sounds	32			
Memory Card	SD card (SDV-2GP recommended, sold separately), FAT16 format			
Starting Time	At start of power supply: 500ms or less At start of signal wire: 300ms or less			
Agency Approvals **	EMC Directive (EN 55011, EN 61000-6-2) RoHS Directive (EN 50581) UL 508, CSA-C22.2 No. 14 Conforms to CE requirements UL Listed (File E215660)			

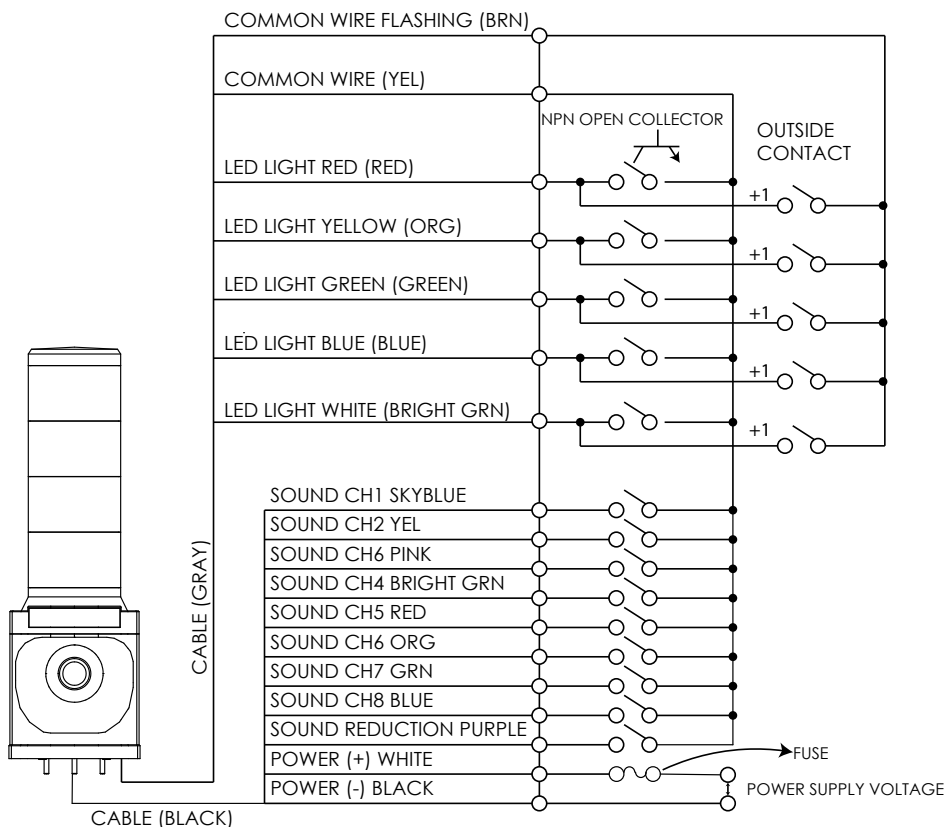
* Blinking common is for NPN models only.

** To obtain the most current agency approval information, see the Agency Approval Checklist section on the specific part number's web page.

PATLITE® LKEH Series Signal Towers

Wiring

NPN Wiring



PNP Wiring

