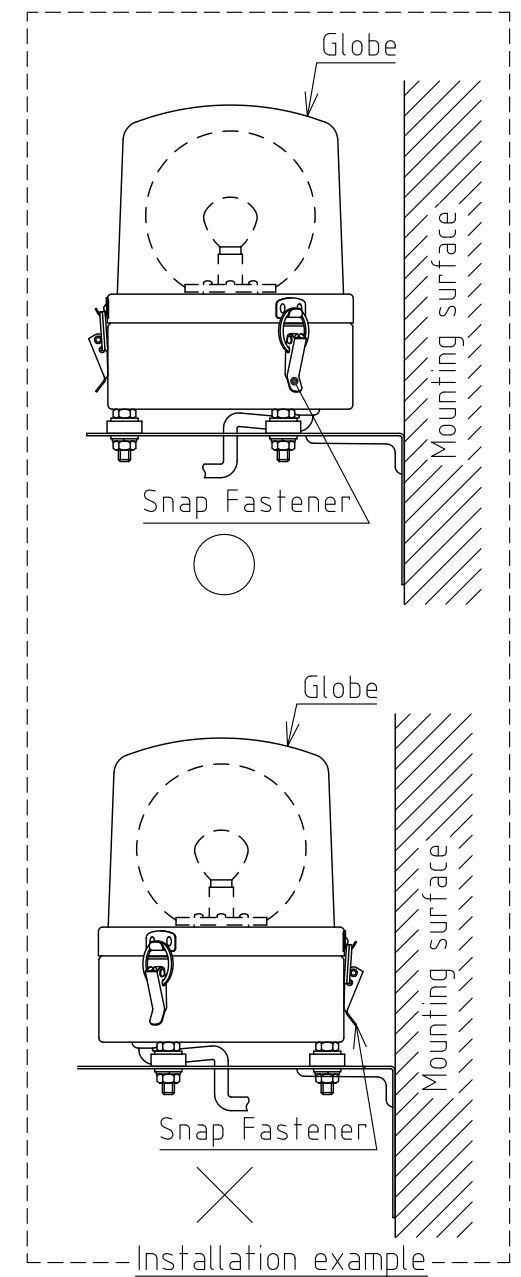


Outer Dimension

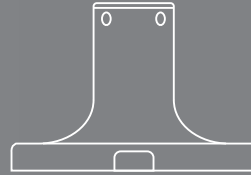
Note

1. This bracket can be used for the model RLE, RU, RS, RHE(B), RKE(B), RH(B)-A, RK(B)-A, SKHE(B), SKH(B)-A, SKH-EA, RLR(-P), KP-A, SKP-A, SKC-A, SKL(A/B/S)-A, SKR-A, HKM-A, RV-A, KG, KES(B), KJ(S/B/T), RK(T/PV), RT, LG(E/H), PS(F/X), KX, PES-A, PEW-A(B), KHE, KPE-A, KLE, LKEH, PSE, LFH, XP(E) and XM(E).
2. The following requirements are necessary for proper installation.
 - Install where vibration is not present.
 - Install on a strong surface.
 - Install on a level surface.
3. When using the Mounting Rubber (model SZ-200A, SZ-210) in addition to this product, the IP rating is not set to IP55.
4. Such as the model SKL-A, HKM-A, XM, and etc, because the taking off of the globe is difficult, it should be installed with reference to "Installation example".
5. Mass : 0.66kg±10%

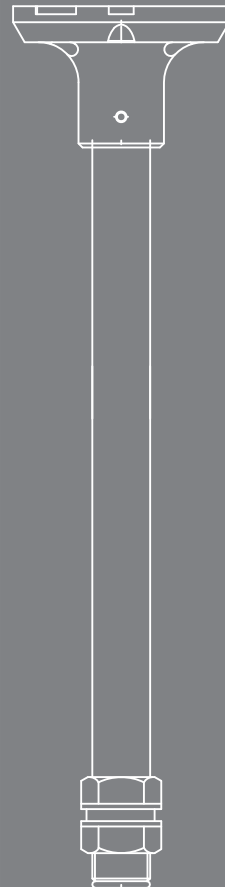


Material : SECC-P(Electro-galvanized Iron), t1.6
 Treatment : Polyester-type Powdered Coating (Mansell No.(Approximation):5Y8/1)

製品仕様書
 Specifications
 株式会社 パトライト
 PATLITE Corporation
 SZ-008-W18B



Optional Parts

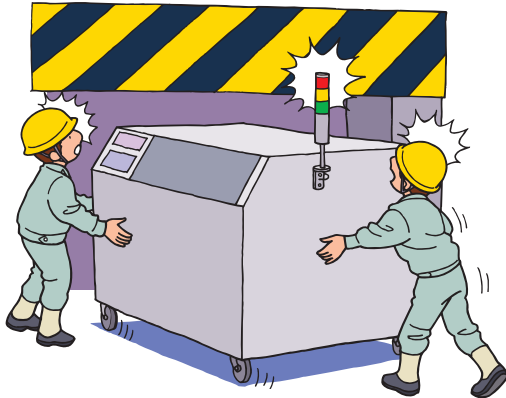


Optional Parts

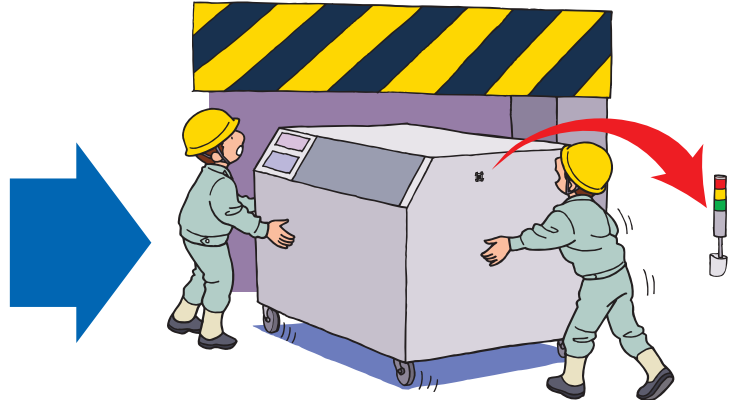
Wall Mount Bracket

- **Avoid Potential Trouble when moving machinery!**
- **Easily removable connection! (Wiring unplugs along with it!)**
- **Easy to disconnect when needing repair!**

BEFORE ...



AFTER ...



Easy steps to installing the bracket



Drill the holes on the machine to attach the mounting connector and bracket.



Fix the mounting parts onto the machine with the proper hardware.



Join the connectors together.



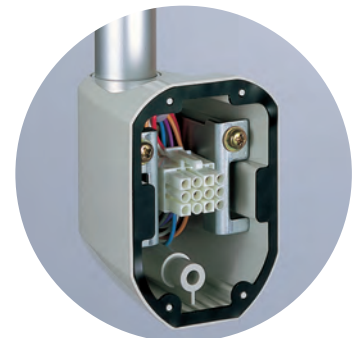
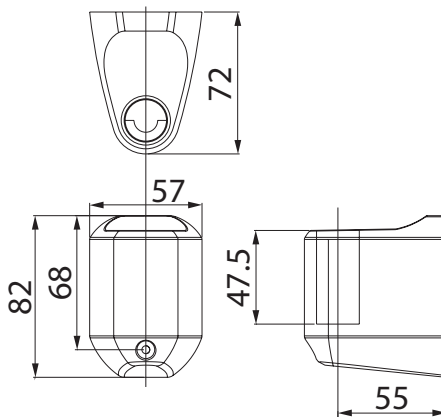
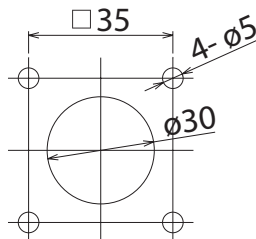
Hook the mounting bracket onto the metal tabs and attach it with the screws.

SZ-020 (For $\phi 21.7\text{mm}$ Pole)

SZ-021 (For $\phi 21.7\text{mm}$ Pole)



Mounting Dimensions



Wire connector SZ-020-001 (Sold Separately)

MP Options

MP-B

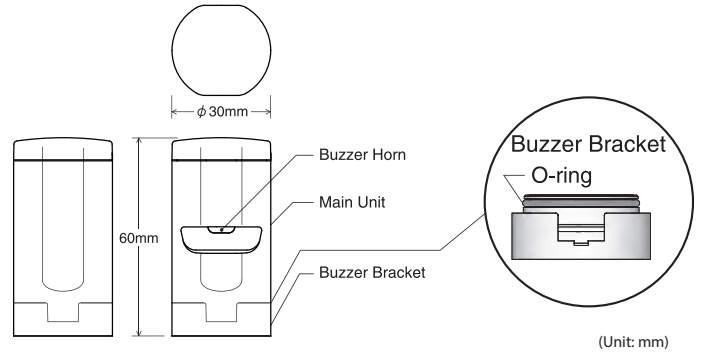
Signal Tower Option



FEATURES

- Double-insulation for enhanced durability and safety
- Direct mount installation with just a single screw
- Main body made of heat resistant ABS resin for superior impact resistance
- Compatible with the MP and MPS Signal Tower (The Red module is required when using the optional MP-B)
- Operates in conjunction with the Red LED module (Alarm activation with other colors must be special ordered).

Model	Rated Voltage	Sound Level	Power Consumption
⊙ MP-B	AC/DC 24V	80dB (at 1m)	0.7W
⊙ Requires Red LED Module			



CLA Options



Option
Rear Attachment
(Magnetic Mount)
Model SZ-310ARM



Option
Side Attachment
(Screw Mount)
Model SZ-310AS



Option
Side Attachment
(CLB-24N Compatible)
Model SZ-310ASB



Option
Rear Attachment
(Stainless Steel Screw Mount)
Model SZ-310EU

CLK Options

M12 Quick Disconnect



4-wire M12 Socket Cable, 5m
(No. 1536308)
4-wire M12 SUS Socket Cable, 5m
(No. 1552447)

Daisy Link at a maximum of five units



4-wire M12 Link Cable, 0.6m
(No. 1518892)
4-wire M12 SUS Link Cable, 0.6m
(No. 1552638)

CLK/CWK Options

One-touch Installation



CLK-001

Angle Adjustment Bracket



SZ-320KS

Surface Mounting Bracket



SZ-330KP

Wall Mount Bracket

SZ-018

Ivory White



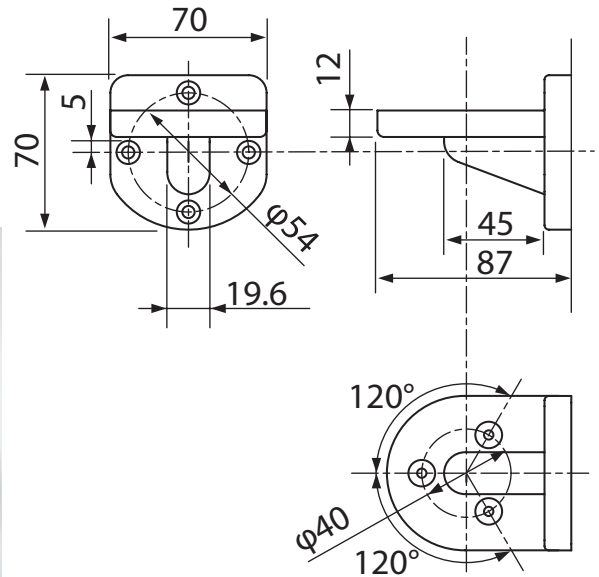
SZ-018U

Silver

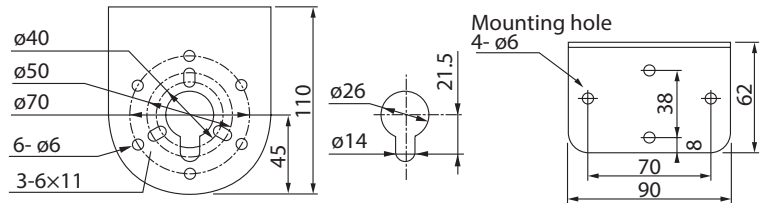
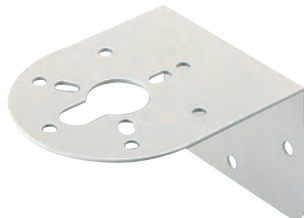


SZ-018K

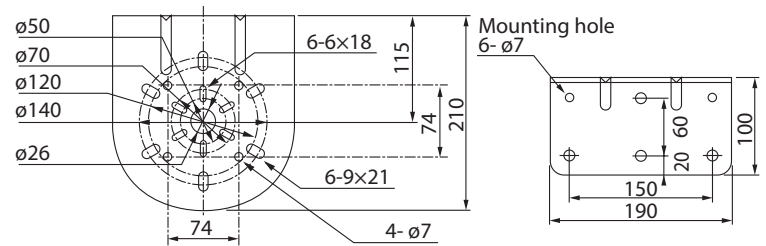
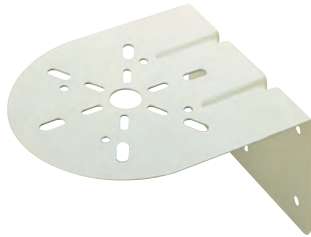
Black



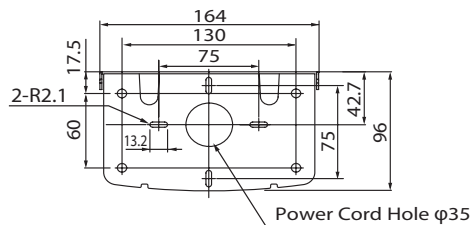
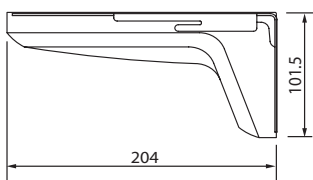
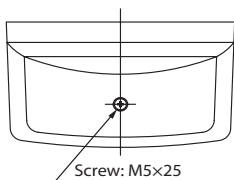
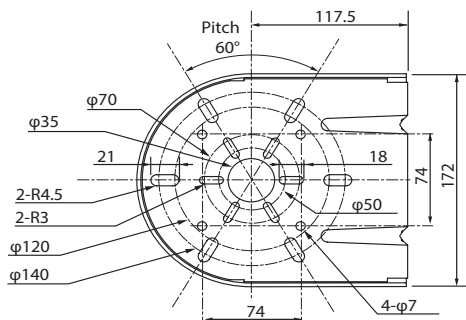
SZ-007



SZ-008



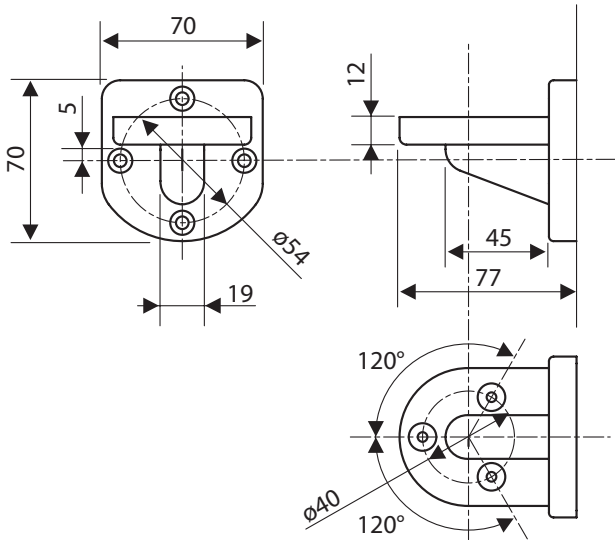
SZ-023



Model	Material	Compatible Models
SZ-017	ADC12	LME, RUP
SZ-018	PBT/ABS	LU7, LME, LHE
SZ-028		
SZ-020	ABS	LU5, LU7, LME, LMS, RUP, LC, LCS, LE, LES-A
SZ-021		
SZ-007	Electro Galvanized Steel	LU7, LHE-A, Pitch for φ50, φ70, φ120, φ140 and 74mm ²
SZ-008		
SZ-023	Bracket: Steel Bracket Cover: ABS	Pitch for φ50, φ70, φ120, φ140, and 74mm ²
SZ-012	SPHC	LCE, LCS, LE, LES, LME, ME, MP
SZ-013		

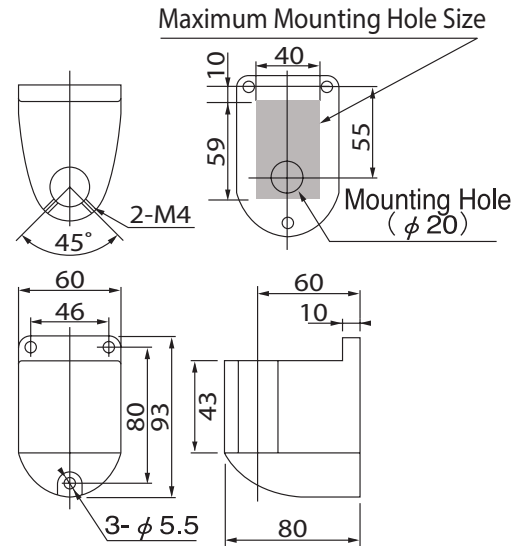
Wall Mount Bracket

SZ-028

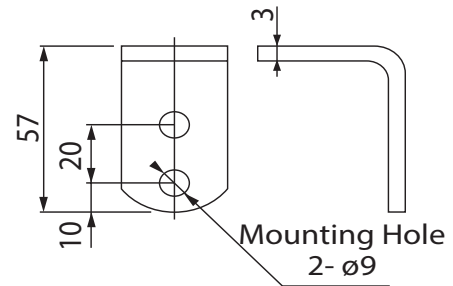
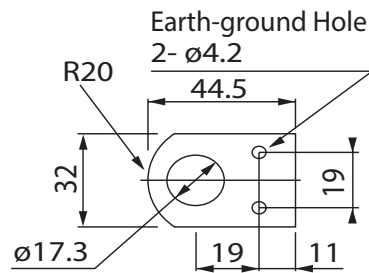


SZ-017

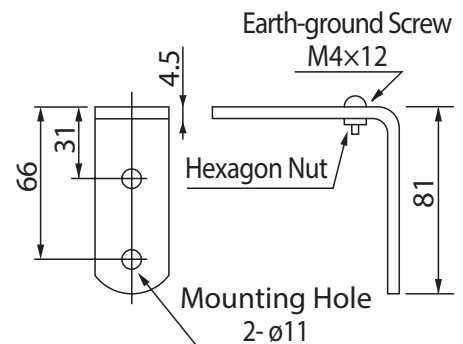
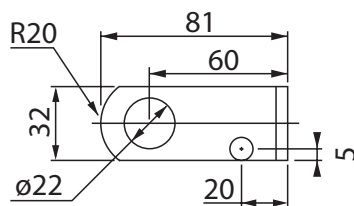
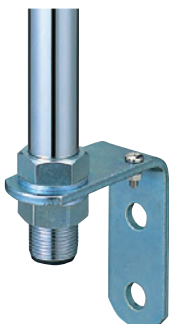
(For $\phi 21.7$ mm Pole)



SZ-012 (Pole not included)



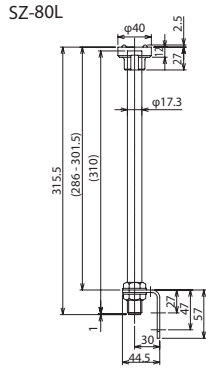
SZ-013 (Pole not included)



Mounting Pole

φ50 (φ40)

SZ-80L

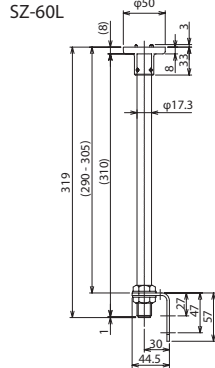


Includes SZ-012

SZ-60L



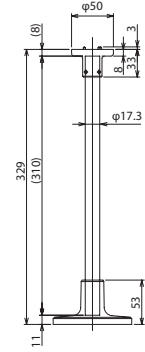
Includes SZ-012



SZ-60T



Includes SZ-011



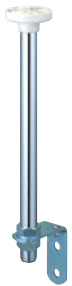
Model	Material					
	Upper Bracket	Pole	'L' Bracket	Cord Bushing	Mounting Bracket	Compatible Models
SZ-80L	ABS	Carbon-steel Pipe	SPHC	6/6 Nylon	—	LCE-W
SZ-60L	ADC12		SPHC	6/6 Nylon	—	LE-W, LES-AW
SZ-60T	—	—	—	—	ADC12	—
SZ-70L	ABS	Carbon-steel Pipe	SPHC	EPT	—	LME-W
SZ-50L	ADC12		SPHC	EPT	—	LU7, LHE-A
SZ-50T	—	—	—	—	ADC12	—
SZ-40L	ADC12	Carbon-steel Pipe	SPHC	EPT	—	KUS
SZ-40T	—		—	—	—	ADC12
SZ-30L	ABS	Carbon-steel Pipe	SPHC	EPT	—	RLE, RU, RH, PS, PES-A
SZ-30T	—		—	—	—	ADC12

ADC12: Aluminum Alloy Die-cast
EPT: Ethylene Propylene Rubber
PBT: Polybutylene Terphthalates

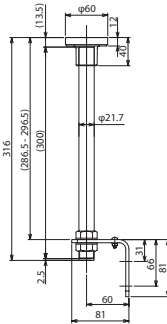
SPHC: Hot Rolled Milled (Sheet) Steel
CRMS: Cold-rolled Milled Steel
ABS: Acrylonitrile Butadiene Styrene

φ60

SZ-70L



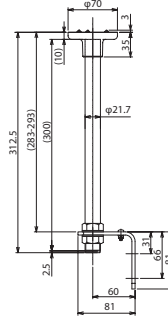
Includes SZ-013



SZ-50L



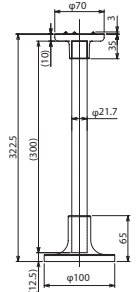
Includes SZ-013



SZ-50T



Includes SZ-010

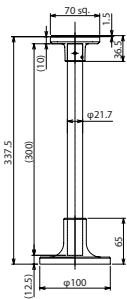


70 sq.

SZ-40T



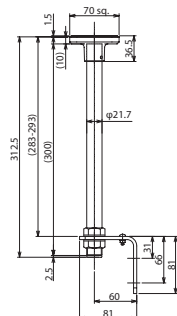
Includes SZ-013



SZ-40L



Includes SZ-010



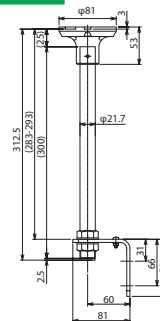
φ81

SZ-30L



Includes SZ-013

Cannot use with Rubber Gasket.

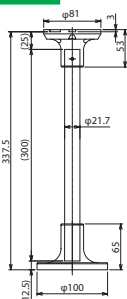


SZ-30T



Includes SZ-010

Cannot use with Rubber Gasket.

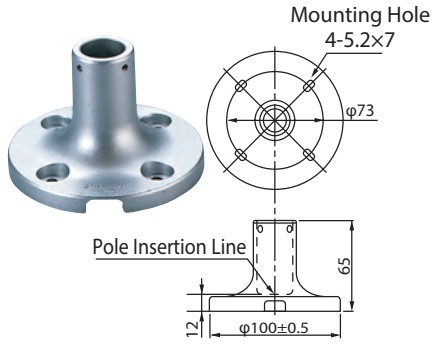


Mounting Bracket

SZ-010

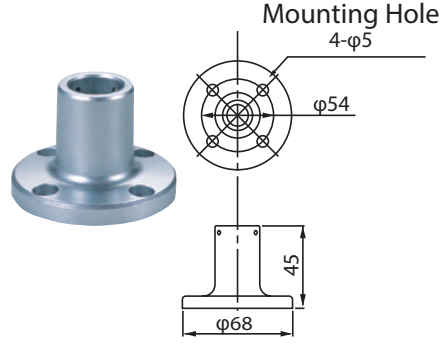


For $\phi 21.7\text{mm}$ Pole



SZ-016A

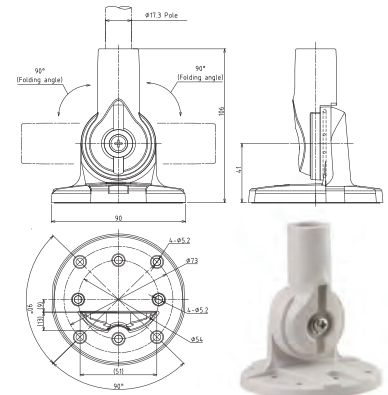
For $\phi 21.7\text{mm}$ Pole



SZ-17Q



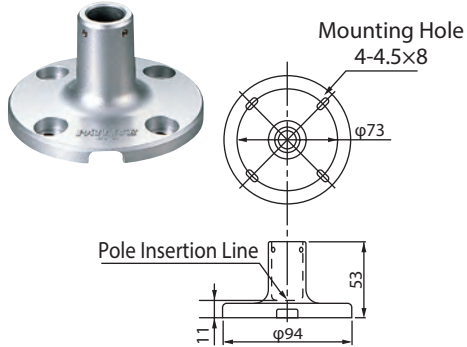
For $\phi 17.3\text{mm}$ Pole



SZ-011

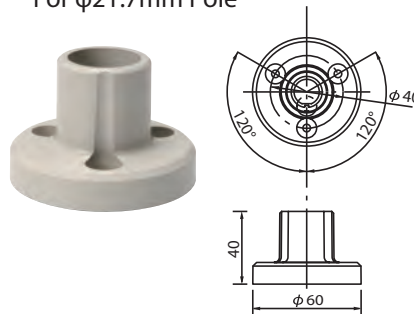


For $\phi 17.3\text{mm}$ Pole



SZ-70-B

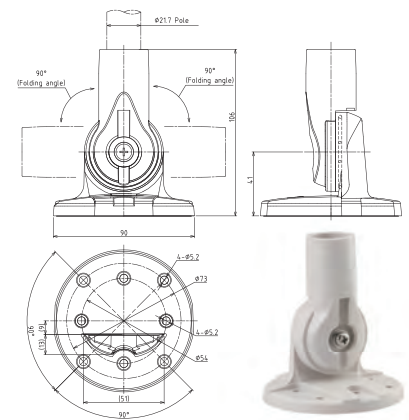
For $\phi 21.7\text{mm}$ Pole



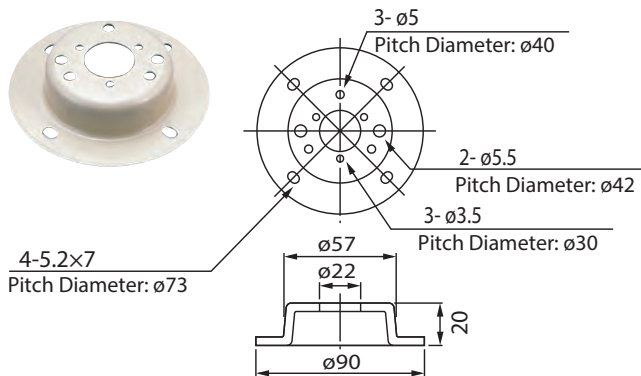
SZ-22Q



For $\phi 21.7\text{mm}$ Pole



SZ-014



Model	Material	Compatible Models
SZ-010	ADC12	RUP, LME, LMS, LHE
SZ-011		LCE, LCS, LE, LES-A
SZ-016A		LU5, LU7, RUP, LME, LMS, LHE
SZ-014	CRMS	LE, LES-A
SZ-70-B	ABS	$\phi 21.7\text{mm}$ Pole
SZ-17Q	ABS	$\phi 17.3\text{mm}$ Pole
SZ-22Q	ABS	$\phi 21.7\text{mm}$ Pole

LU7 Upper Bracket



SZ-50-U

Ivory White



SZ-50U-U

Silver

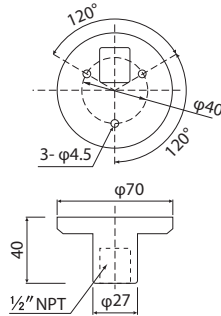
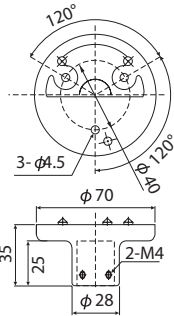


SZ-50NPT



SZ-50K-U

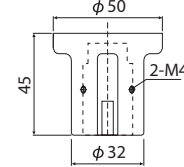
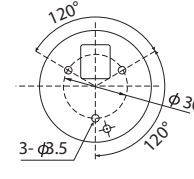
Black



LU5 Upper Bracket

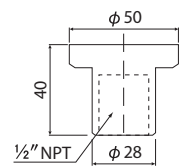
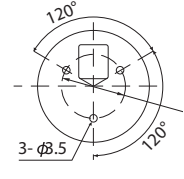
SZ-60-U

For φ21.7mm Pole



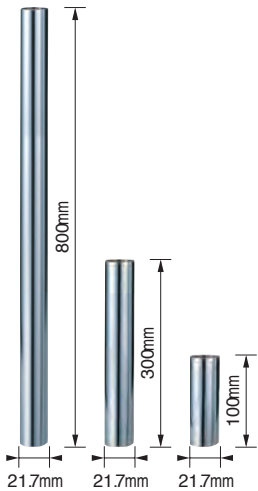
SZ-60NPT

For 1/2" NPT Pole



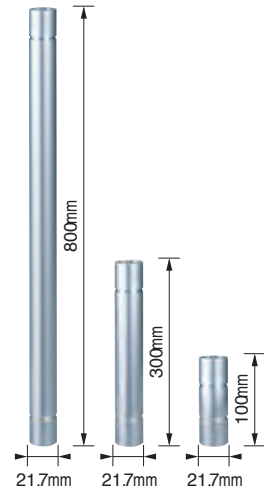
Pole

Steel Pole



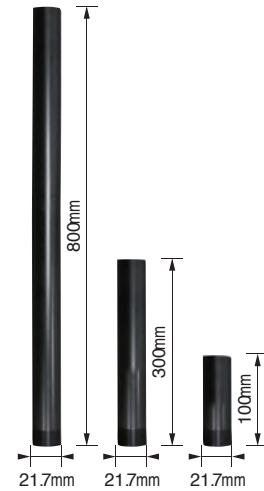
800mm	: POLE-800S21
300mm	: POLE-300S21
100mm	: POLE-100S21

Aluminum Pole



800mm	: POLE-800A21
300mm	: POLE-300A21
100mm	: POLE-100A21

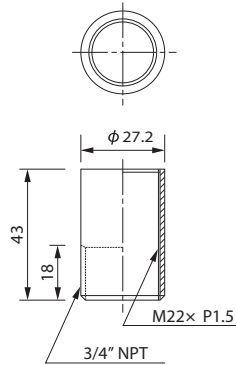
Black Aluminum Pole



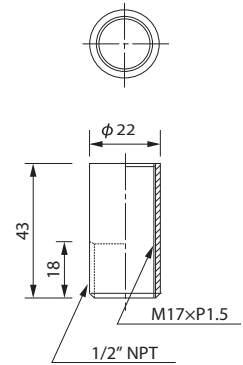
800mm	: POLE-800A21K
300mm	: POLE-300A21K
100mm	: POLE-100A21K

NPT Adaptor

SZ-904



SZ-903



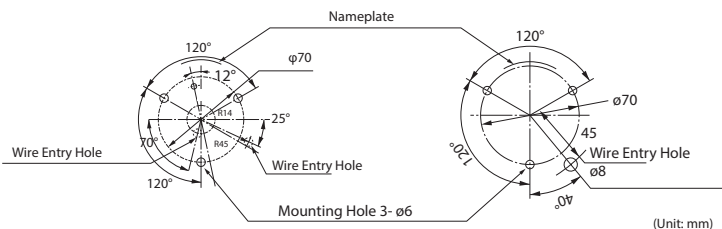
Rubber Gasket

SZ-200A



Mounting Dimensions

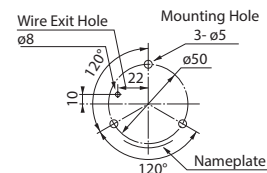
Model	Material	Compatible Models
SZ-200A	Ethylene Propylene Rubber	RH(B)
SZ-210		RU, RLE, PSE, PES



SZ-210



Mounting Dimension



(Unit: mm)

LS7 Options

Wall Mounting Bracket SZ-110



SZ-110



SZ-110S

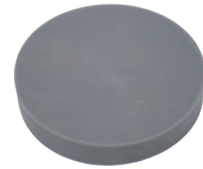


SZ-110D

Replacement Parts



O-Ring for LS7
Part No.: Z35721039-F1



Mount Cover for LS7
(Accessory)
Part No.: B81910001-F1

Platform Bracket SZ-100



SZ-100



SZ-100S



SZ-100D



Outer Cover for LS7*
Part No.: B45110011-F1
*Only for connecting to the LS7.



M12 Connector & Cable
Manufactured by the OMRON Corp.)
SZ-120-02 Cable Length 2 m (XS2F-D821-DH0-R)
SZ-120-05 Cable Length 5 m (XS2F-D821-GH0-R)
SZ-120-10 Cable Length 10m (XS2F-D821-JH0-R)
*Only for connecting to the LS7.

Multi-mount Bracket SZ-130



SZ-130

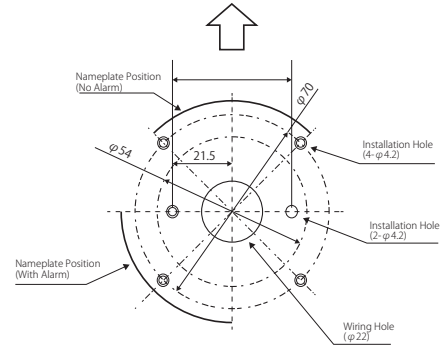


SZ-130S



SZ-130D

Front (Audible Alarm Opening)



LA6 Options



• Waterproof O-ring
B25110047-F1



• Pole Bracket
(Off-white) B22210134-7F1



• Waterproof Ring 'B'
B25110042-F1



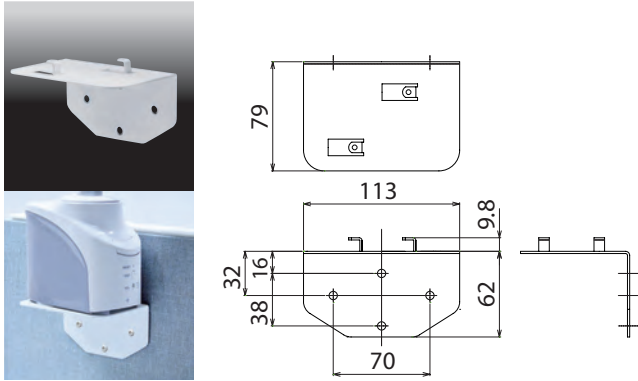
• USB Port Cover
(Off-white) B22100071-7F1
(Silver) B22100071-9F1



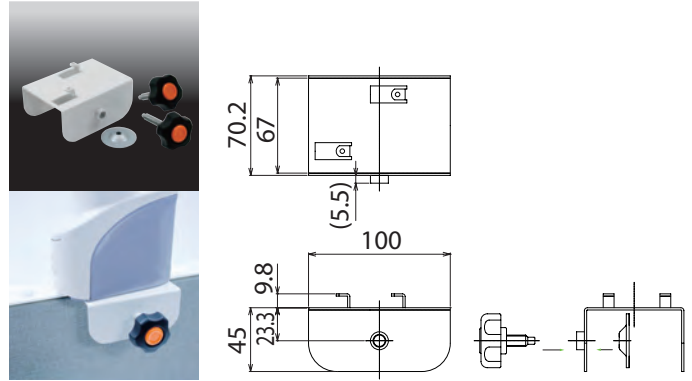
• Headcover
(Off-white) B31310001-7F1
(Silver) B31310001-9F1

NHL Options

Wall Mount Bracket NH-WST



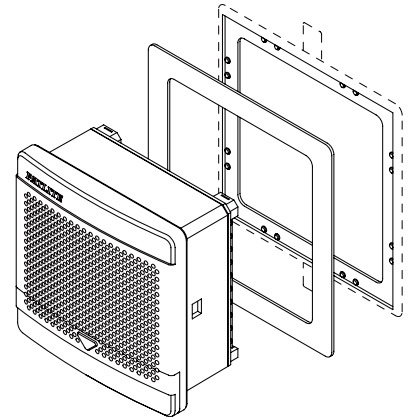
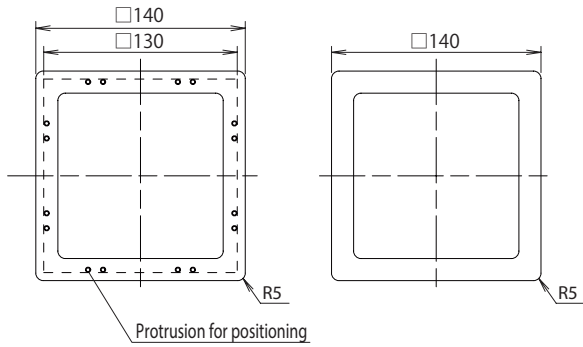
Partition Bracket NH-PST



BKV Options

BK-001 Size Adjustment Bracket

This bracket is used to install the annunciator in a place where holes have already been drilled for legacy PATLITE Products (φ133mm² Type)



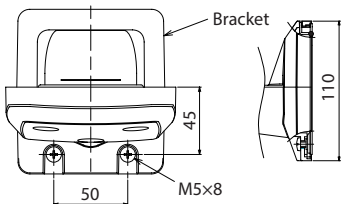
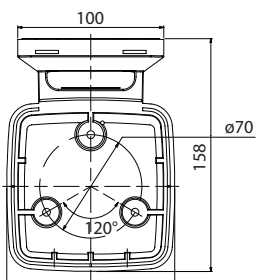
RFT/RFV Options

Wall Mount Bracket



RF-001 Wall Mount Bracket

(Unit: mm)

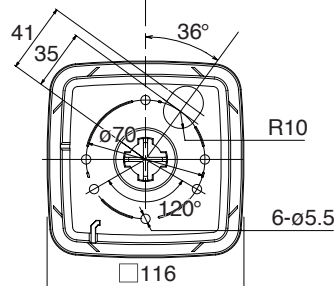
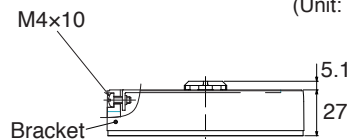


Ceiling Mount Bracket



RF-002 Ceiling Mount Bracket

(Unit: mm)



Melody Charts

Type A (Japan Only)			
Beep (slow intermittent)	Stutter (rapid intermittent)	Bell (clear high-pitch)	Yelp (rapid siren)
Rapid Hi-Lo	Melody Chime	Synthesized Piano	Synthesized Bell
Stutter + Bell	Synthesized Melody Chime	Chime	Call Sign
Fur Elise	Maiden's Prayer	Bach Minuet in Gmaj	Annie Laurie
London Bridge is falling down	Hol-di-ri-Dia	Mary had a little Lamb	Camptown Races
Cuckoo Song	Village Blacksmith	On the Bridge of Avignon	Daydream Believer
Amaryllis	Mozart Symphony No. 40	Quiet Lakeside	Ich bin ein Musikante
Spanish Romance	Katyusha	Grandfather's Clock	Ave Maria

Type D (Japan Only)			
Beep (slow intermittent)	Stutter (rapid intermittent)	Bell (clear high-pitch)	Yelp (rapid siren)
Rapid Hi-Lo	Melody Chime	Synthesized Piano	Synthesized Bell
Runner	Mamotte Agetai	Chime	Call Sign
Iribiao Kikinagara	September	Doyoubino Koibito	Akino Kehai
Saafu Tengoku Sukii Tengoku	Iro White-blend	Happy Birthday	Hi Ho
I've been working on the Railroad	The Bear Song	Toys Go "Cha-cha-cha"	Konnako Irukana
Schubert's Lullaby	Rudolph the red-nosed Reindeer	She Wore a Yellow Ribbon	My Darling, Clementine
Yellow Rose of Texas	Yankee Doodle	When the Saints Go Marching In	Londonderry Air

Type C (Japan Only)			
Beep (slow intermittent)	Stutter (rapid intermittent)	Bell (clear high-pitch)	Yelp (rapid siren)
Rapid Hi-Lo	Melody Chime	Synthesized Piano	Synthesized Bell
Stutter + Bell	Synthesized Melody Chime	Chime	Call Sign
Can't take my eyes off of you	Top of the World	The Entertainer	Amazing Grace
Amairono Kamino Otome	Les Champs-Elysees	Canon	Rara Sunshine
Uchusenkan Yamamoto	Oshiete	Makenaide	Gonna Fly Now (Theme from "Rocky")
I don't Wanna Miss a Thing	Yozorano Mukou	Aiwa Katsu	Haruyo Koi
Gattsudaze	Odoru Ponpokorin	Imasugu Kisu Mi	Truth

Type E (Worldwide)			
Beep (slow intermittent)	Stutter + Bell	Inverted Reveille	Annie Laurie
Stutter (rapid intermittent)	Melody Chime	Galactic Motor	London Bridge is falling down
Bell (clear high-pitch)	Chime	Ringin Phone	Mary had a little Lamb
Yelp (rapid siren)	Call Sign	Two Tone	Camptown Races
Rapid Hi-Lo	Train Ride	Alarm Clock	Amaryllis
Melody Chime	Galloping Hi-Lo	Ringin Hi-Lo	Mozart Symphony No. 40
Synthesized Piano	Alien Chatter	Fur Elise	Ave Maria
Synthesized Bell	Falling Crystals	Bach Minuet in Gmaj	Grandfather's Clock




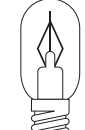
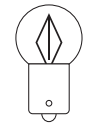
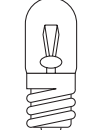

Type-F (Japan Only)				
Beep (slow intermittent)	Spring Melody	A Maiden's Prayer	Quiet Lakeside	BANZAI SUKIDE YOKATTA
Stutter (rapid intermittent)	Game Intermission	Bach Minuet in Gmaj	The Music Man	NAMONAKI UTA
Bell (clear high-pitch)	Jalopy Horn	Annie Laurie	Spanish Romance	SOUSEINO AKUERION
Yelp (rapid siren)	ET Doorbell	London Bridge is falling down	Katyusha	MAMBO NO 5
Rapid Hi-Lo	RR-crossing	Holdiridia	Ave Maria	The Parade of the Tin Soldiers
Melody Chime	Digital Train Whistle	Mary had a little Lamb	Grandfather's Clock	Turkey in the Straw
Synthesized Piano	Train Ride	The Camptown Races	RHYTHM AND POLICE	Aka tomo
Synthesized Bell	Starting Notice Chime1	Cuckoo Song	ZANKOKUNA TENSHINO TEEZE	Funiculi, Funicula
Stutter + Bell	Starting Notice Chime2	Village Blacksmith	MAJINGAA ZETTO	Furusato
Melody Chime	Starting Notice Chime3	On the Bridge of Avignon	HATARAKU KURUMA	Beautiful Dreamer
Chime	Ending Notice Chime1	Daydream Believer	NINGENTTE IINA	JOLLY HOLIDAY
Call Sign	Ending Notice Chime2	Amaryllis	ROBINSON	
Galactic Hovercraft	Fur Elise	Mozart Symphony No. 40	WORLD FOOTBALL ANTHEM	

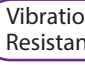
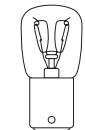

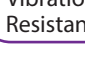
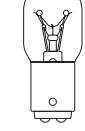

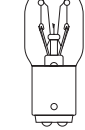

Type-G (Worldwide)				
Beep (slow intermittent)	Galloping Hi-Lo	ET Doorbell	Mozart Symphony No. 40	Polka Trablanka
Stutter (rapid intermittent)	Alien Chatter	RR-crossing	Ave Maria	O Vreneli
Bell (clear high-pitch)	Falling Crystals	Starting Notice Chime1	Grandfather's Clock	KAERUNO GASSHOU
Yelp (rapid siren)	Inverted Reveille	Starting Notice Chime2	The Parade of the Tin Soldiers	El Condor Pasa (If I Could)
Rapid Hi-Lo	Galactic Motor	Ending Notice Chime1	If You're Happy and You Know It	Hungarian Dance No.5
Melody Chime	Ringin Phone	Ending Notice Chime2	Flea Waltz	William Tell Overture
Synthesized Piano	Two Tone	Fur Elise	Turkey in the Straw	Pomp and Circumstance
Synthesized Bell	Alarm Clock	Bach Minuet in Gmaj	The Battle Hymn of the Republic	Comedians' Galop
Stutter + Bell	Ringin Hi-Lo	Annie Laurie	J'ai perdu le do de ma clarinette	Nedelka
Melody Chime	Galactic Hovercraft	London Bridge is falling down	Can-can	Moonlight Serenade
Chime	Spring Melody	Mary had a little Lamb	Radetzky March	WAREWA UMINO KO
Call Sign	Game Intermission	The Camptown Races	Funiculi, Funicula	
Train Ride	Jalopy Horn	Amaryllis	Csikos Post	

Use of Copyrighted Material

PATLITE Corporation has not applied for permission to use certain copyrighted music or songs recorded for Type-A, Type-C, Type-D and Type-F melody charts outside of Japan. Therefore, please contact the local copyright association for permission before using the product in case this product is used outside of Japan. Melody charts Type-E and Type-G are recommended for use outside of Japan as this playlist does not include copyrighted music or songs, and permission is not required.

Replacement Bulbs

Model	Bulb No.	Ratings	Part No.
 RP35/BA15S	1	12V 35W	D01203501-F1
	2	24V 35W	D02403501-F1
 RP35/BA15D	5	48V 35W	D04803502-F1
 G18/BA15S	8	6V 3W	D00600303-F1
	9	12V 10W	D01201003A-F1
	10	24V 10W	D02401003A-F1
	11	48V 10W	D04801003-F1
	12	12V 5W	D01200503A-F1
 T20/E12	13	30V 10W	D03001006A-F1
	14	110V 10W	D11001006A-F1
	15	220V 10W	D22001006A-F1
	16	110V 15W	D11001506A-F1
	17	220V 15W	D22001506A-F1
 G14/BA9S	18	12V 6W	D01200604-F1
	19	24V 6W	D02400604-F1
 T10/E10	22	110V 3W	D11000307-F1
	27	12V 0.11A	D012/1107-F1
	28	24V 0.11A	D024/1107-F1
 RP35/BA15D	36	120V 40W (Vibration Resistant)	D12004024-F1
	37	220V 30W	D22003024-F1

Model	Bulb No.	Ratings	Part No.	
 Vibration Resistant	39	28V 11W	D02801111-F1	
 T20/BA15D	40	110V 12W	D11001211-F1	
	41	250V 11W	D25001111-F1	
 S25/BA15S	42	12V 23W	D01202305-F1	
	43	24V 25W	D02402505-F1	
 Vibration Resistant	 T20/BA15D	50	28V 20W	D02802011-F1
 Vibration Resistant		51	110V 20W	D11002011-F1
 T20/BA15D	53	250V 20W	D25002011-F1	
	 G18/BA15S	54	12V 15W	D012001503-F1
55		24V 20W	D02402003-F1	

* Some bulbs may not be available due to part or product discontinuation without prior notice.