



**Multi-layer signal towers featuring outstanding vibration resistance and long service life.**

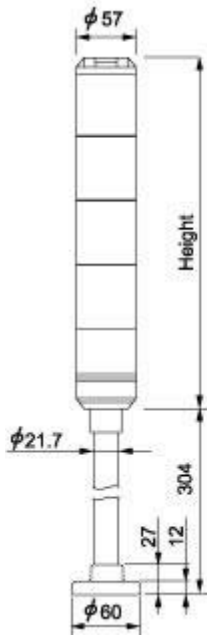
**Shock isolated mechanism increases bulb life.**

The unique vibration absorbing structure using new material helps reduce vibration and impact from all machines and devices, greatly extending bulb life. (PAT.)



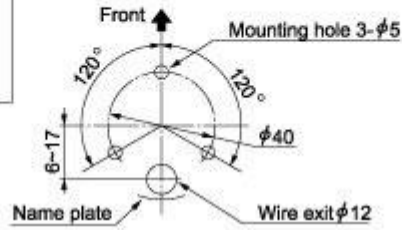
- Lenses are made of heat & shock resistant polycarbonate resin.
- Colors are available in Red, Amber, Green and Blue.
- Special high intensity illumination design.
- Lense colors can be arranged in any combination desired.
- F type flashes approx.60 times per minute.
- Dust resistant.
- The shock resistance bulb operates for long periods of time even under vibration condition.
- Prism cut lens disperses the light efficiently and improves visibility.
- 24V type is CE compliant.
- IP20

**Dimensions**



Height(mm)
1Light:160
2Lights:226
3Lights:292
4Lights:358

### Mounting Dimension



STD type  
Circular mounting  
bracket

(mm)



Optional  
Mounting Bracket  
SZ-020

### Wiring Diagram

## Optional Parts

### L.E.D. illuminant bulb DE



Conceptual drawing of lighting distribution through prism illuminant configuration.



Change the bulb type Signal Tower to L.E.D. type easily and eliminate bulb failure with L.E.D. illuminant bulb

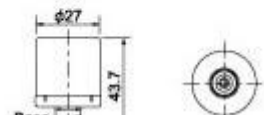
- Colors are available in Red, Amber, Green, Blue and Clear.
- Our original designed prism illuminant configuration gives superior brightness and visibility from all direction.
- Increased visibility can be obtained with super bright L.E.D.
- L.E.D. illuminant realizes power savings and long life.
- DE has no polarity, so that it can be used with AC or DC.
- Installation method is completely same as conventional bulb type.



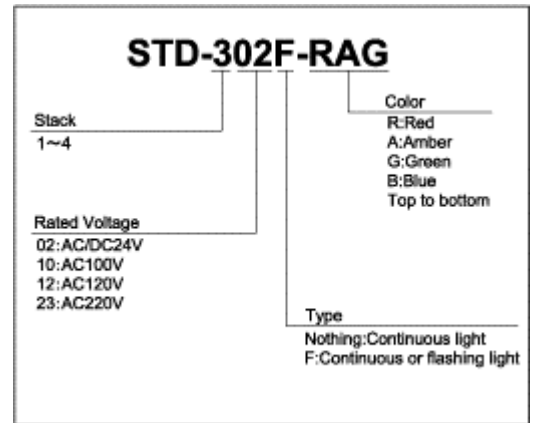
MODEL	BASE	RATED VOLTAGE	WATTAGE
DE-24E	E12 Edison Base	24V AC/DC	0.7W

Only 24V model is applicable on all series.

Dimension



Number of stacks	Model	Rated Voltage	Bulb	Bulb No.
1 Light	-102	AC/DC 24V	30V 10W	13
	-110	AC 100V	110V 15W	16
	-112	AC 120V	140V 10W	46
	-123	AC 220V	240V 15W	17
2 Light	-202	AC/DC 24V	30V 10W	13
	-210	AC 100V	110V 15W	16
	-212	AC 120V	140V 10W	46
	-223	AC 220V	240V 15W	17
3 Light	-302	AC/DC 24V	30V 10W	13
	-310	AC 100V	110V 15W	16
	-312	AC 120V	140V 10W	46
	-323	AC 220V	240V 15W	17
4 Light	-402	AC/DC 24V	30V 10W	13
	-410	AC 100V	110V 15W	16
	-412	AC 120V	140V 10W	46
	-423	AC 220V	240V 15W	17



□ @