

# LU7

## Signal Tower



**LED**



**90dB/m**

**Electronic Sound 2**

**ø70**

**IP65**

**NPN/PNP  
Open collector**



### Versatile stackable Signal Tower featuring easy assembly and wiring designed for every need.

- PATLITE's Exclusive Hybrid Prism-Cut Lens: For enhanced visibility from any direction and distance
- FB type: 2 selectable built-in alarms with adjustable volume up to 90dB (at 1m).
- Installation: Direct mount.
- Color-coordinated Terminal Block: Corresponds to the lens colors for quick wiring verification in the base unit.
- Interchangeable LED module: No re-wiring even after installation.
- Lens: Superior impact- and heat-resistant polycarbonate resin for superior durability and light transmission.
- Available Colors: Red, Amber, Green, Blue, Clear/White.

Available Special Order

- RoHS Compliance.
- Silver Body.

#### LED unit

Model	Color
LU7-E-R	Red
LU7-E-Y	Amber
LU7-E-G	Green
LU7-E-B	Blue
LU7-E-C	Clear/White



#### Base unit

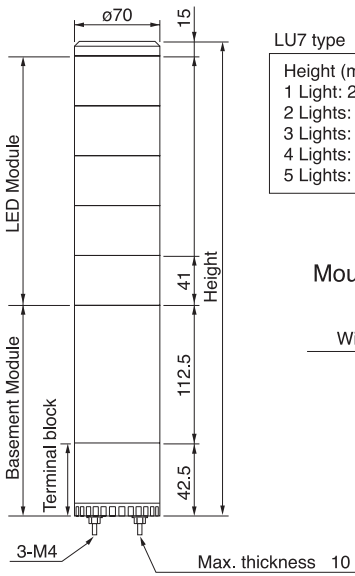
Model	Rated Voltage	Alarm / Flash
LU7-02	24V DC	-
LU7-02FB	24V DC	2 sounds / Flash
LU7-M2	90~250V AC	-
LU7-M2FB	90~250V AC	2 sounds / Flash

FB type: approx. 60 flashes per minute.



# Dimensions

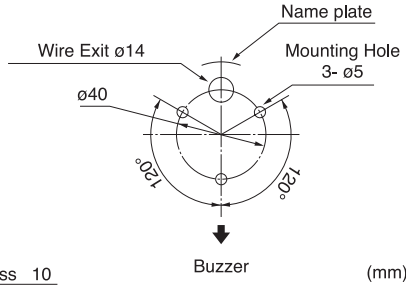
# Wiring Diagram



LU7 type

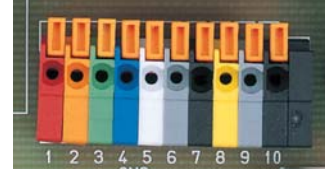
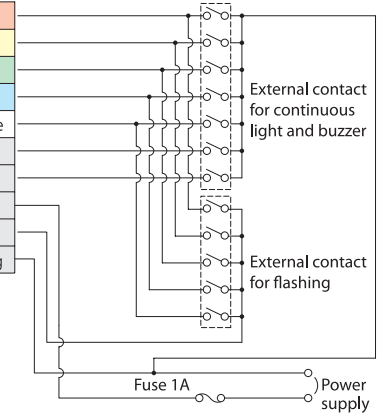
Height (mm)
1 Light: 211
2 Lights: 252
3 Lights: 293
4 Lights: 334
5 Lights: 375

## Mounting Dimension



No.1	Red	LED unit Red
No.2	Orange	LED unit Amber
No.3	Green	LED unit Green
No.4	Blue	LED unit Blue
No.5	White	LED unit Clear/White
No.6	Gray	Buzzer 1
No.7	Black	Buzzer 2
No.8	Yellow	COM
No.9	Gray	Flashing COM
No.10	Black	Power supply for flashing

<Recommended electric wire>  
Solid wire:  
 $\phi 0.8-\phi 1.2\text{mm}$   
Stranded wire:  
 $0.3-1.25\text{mm}^2(\text{AWG } 22-18)$



## Easy wiring terminal system

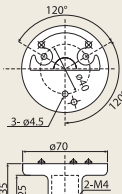
# Option

## Upper Bracket

SZ-50-U



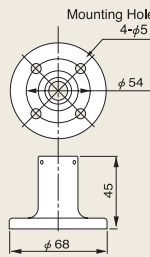
Indispensable for pole mounting



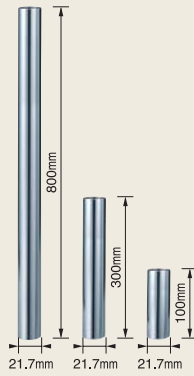
## Mounting Bracket

SZ-016A

(For  $\phi 21.7\text{mm}$  pole)

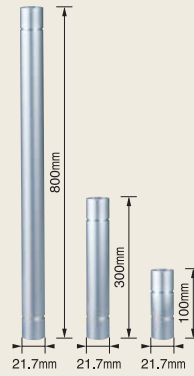


## Steel Pole



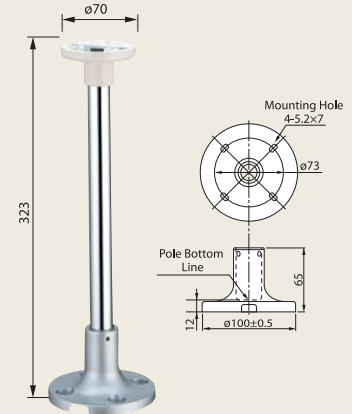
800mm: POLE-800S21  
300mm: POLE-300S21  
100mm: POLE-100S21

## Aluminum Pole



800mm: POLE-800A21  
300mm: POLE-300A21  
100mm: POLE-100A21

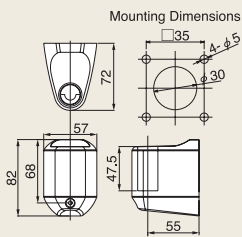
SZ-50T



## Wall Mounting Bracket

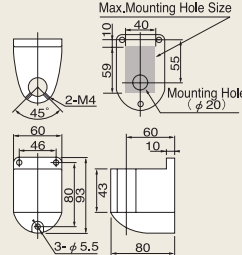
SZ-020

(For  $\phi 21.7\text{mm}$  pole)

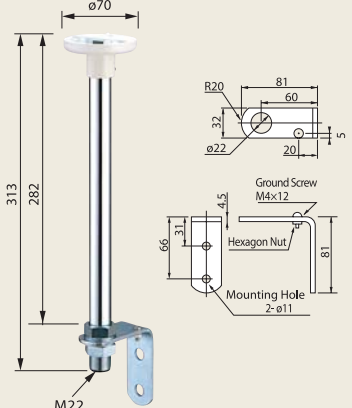


SZ-017

(For  $\phi 21.7\text{mm}$  pole)



SZ-50L



Model	Modules
SZ-50-U	ADC12
POLE-□□□S21	Steel
POLE-□□□A21	Aluminum
SZ-016	ADC12

Model	Modules
SZ-70-B	ABS resin
SZ-017	ADC12
SZ-020	ABS resin

Model	Pre-assembled				
	Upper Bracket	Pole	L Bracket	Bushing	Mounting Bracket
SZ-50T	ADC12	Steel	-	-	ADC12
SZ-50L	ADC12	Steel	SPHC	EPT	-

※ADC12...Aluminum alloy die-cast SPHC...Hot rolled mild (sheet) steel EPT...Ethylene propylene rubber

# LU7-V1

## Sound Module



90dB/m

MP3 (4Messages)

ø70

IP65

NPN/PNP  
Open collector

### Stackable sound module with high volume in all directions.

- Volume: Adjustable with internal control, high level of 90dB/m in all direction (alarm style).
- Playback System: High quality MP3, alarms, melodies or up to 4 messages in 32 seconds.
- Operating Terminal / Playback Sound: Selected by internal jumper placement.
- CE compliant.
- UL approved.

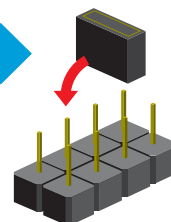
(1) Sound level may vary depending on type.  
 (2) Messages are pre-installed per order at the factory.

#### Stackable audible alarm

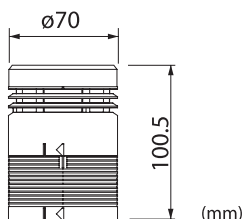
- Available for all LU7 base styles.
- Easily mounted at the top of the light stack.

#### Selectable playback sound

· The jumper position determines the sound



### Dimensions



Head cover is supplied with the base unit.

### LU7-V1 type

Model	Rated Voltage	Power Consumption	Mass
LU7-V1	DC 24V	3.5W	0.17kg

# LU7-XE

## LED Strobe Module



**LED**

**Ø70**

**IP65**

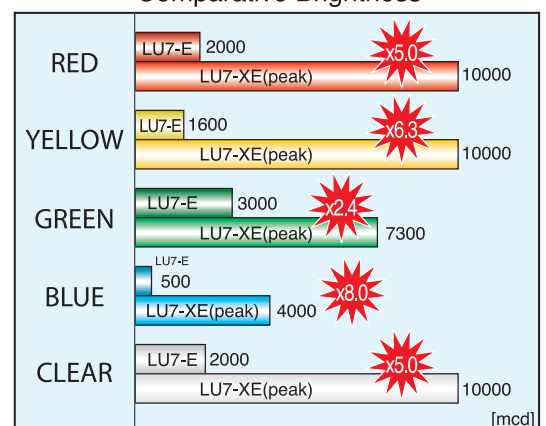
**NPN/PNP  
Open collector**

### Stackable LED strobe module saves energy and requires low maintenance.

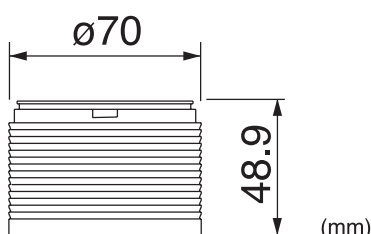
- Application: For use with the LU7 series tower.
- Flash Pattern: Double-flash for a visually stunning display.
- LED: Super bright for enhanced visibility.
- Assembly: Stackable and interchangeable before or after installation.

(1) For use with the LU7-02 and LU7-02FB bases only.

Comparative Brightness



### Dimensions



### LU7-XE type

Color	Model	Rated Voltage	Power Consumption	Mass
Red	LU7-XE-R	DC 24V	290mA	0.07kg
Amber	LU7-XE-Y	DC 24V	290mA	0.07kg
Green	LU7-XE-G	DC 24V	140mA	0.07kg
Blue	LU7-XE-B	DC 24V	270mA	0.07kg
White/Clear	LU7-XE-C	DC 24V	280mA	0.07kg