

## SPECIFICATIONS

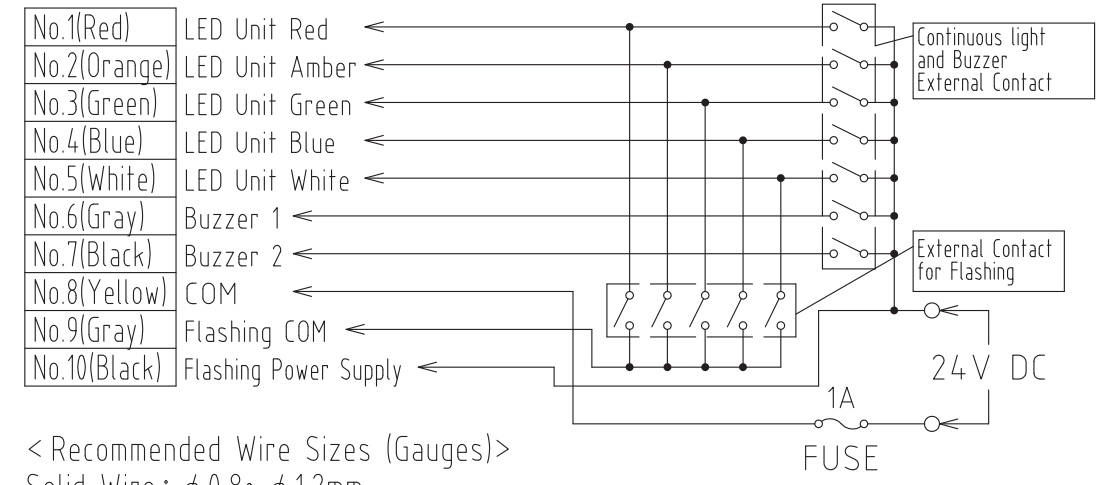
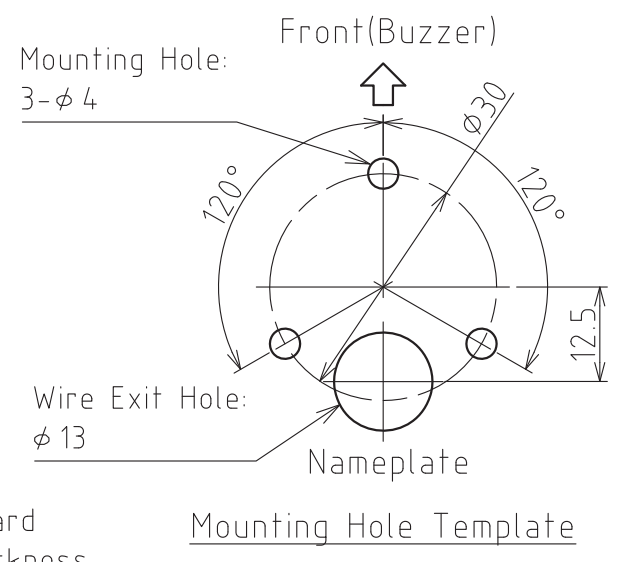
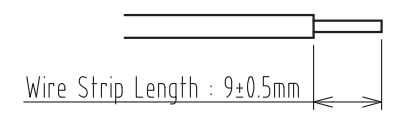
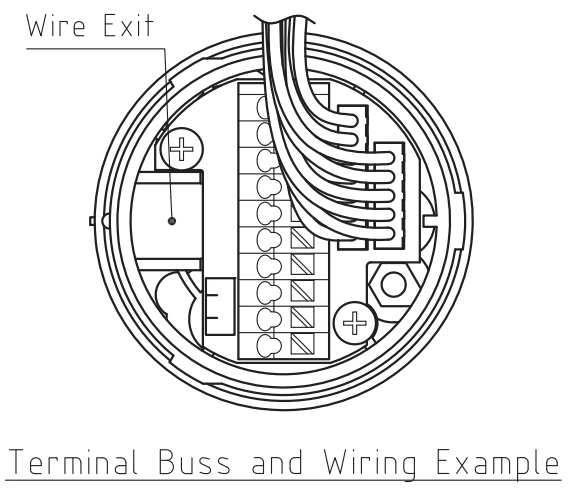
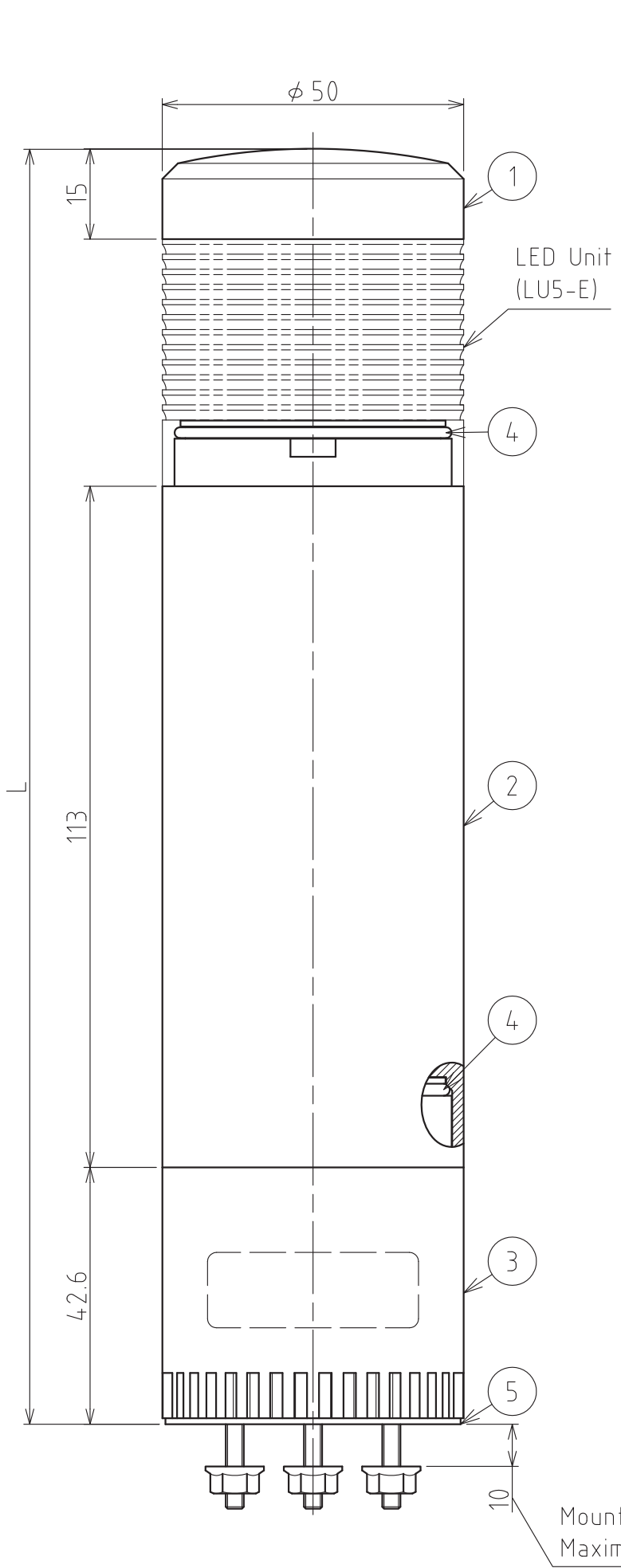
[General Specifications]

Model	LU5-02 (Base Unit)	LU5-02FB (Base Unit With Flashing/Buzzer)
Rated Voltage	24V DC	
Operating Voltage Range	Rated Voltage $\pm 10\%$	
Buzzer	Sound Pressure Level	85 $\pm$ 5dB Front direction from the center / at 1m
	Tone	[Buzzer 1] Continuous Sound [Buzzer 2] Intermittent Sound
Signal Wire Current	—	[Buzzer 1] 50 $\pm$ 10mA [Buzzer 2] 24 $\pm$ 10mA
Rated Power Consumption	—	[Buzzer 1] 1.2 $\pm$ 0.25W [Buzzer 2] 0.58 $\pm$ 0.25W
Flashing Rate	—	60 $\pm$ 12 Flashes Per Minute
Operating Ambient Temperature	- 30 °C to + 60 °C	
Operating Ambient Humidity	Less than 90% (No condensation)	
Mounting Location	Indoors	
Mounting Direction	Upright	
Protection Rating	IP65 (IEC 60529)	
Vibration Resistance	19.6m/s <sup>2</sup> (IEC 60068-2-6 30Hz Fixed frequency) Vibration test is as follows : Horizontal : Front and Rear, 2 hours / Right and Left, 2 hours Vertical : Up and Down, 2 hours	
Insulation Resistance	More than 1M $\Omega$ at 500VDC between the terminals and the chassis	
Withstand Voltage	500VAC applied for 1min between terminals and chassis without breaking insulation	
Mass (Tolerance $\pm 10\%$ )	182g	200g
Outer Dimensions	Refer to the Outer Dimension Drawing	
Conformity Standards	EMC Directive (EN 61000-6-4, EN 61000-6-2) UL 508, CSA-C22.2 No. 14 RoHS Directive (EN 50581)	
Remarks	Conforms to the CE requirements UL Listed (File No.E215660)	

No.LU5-02.-W18E-1\_2

**PATLITE Corporation**

生産終了  
Production end



< Recommended Wire Sizes (Gauges) >  
 Solid Wire:  $\phi 0.8 \sim \phi 1.2\text{mm}$   
 Stranded Wire:  $0.3 \sim 1.25\text{mm}^2$  (AWG 22~18)

- [NOTE]
1. LED Units are available up to 5 tires.
  2. Use a UL certified "Class 2" power supply source for the circuit.
  3. Use UL authorized fuses and fuse-holders with this product.
  4. Use the fuse rating that matches the rated current of the machine which the product is installed on. (Example: Class J type fuse)

LED unit qty.	L [mm]
0	170
1	211
2	252
3	293
4	334
5	375

5	Waterproof-sheet	-	1	CR t=1.0	
4	O-ring	-	2	Silicone Rubber $\phi 1.78$ (Gray)	
3	Bracket	-	1	ABS(Light Gray)	
2	Body	-	1	ABS(Light Gray)	
1	Headcover	-	1	ABS(Light Gray)	
番号 No.	部品名 Part Name	品目コード Part No.	数量 Qty.	材料 & 寸法 & 処理 Material & Size & Finish	記事 Remarks

外観図面  
Outer Dimension Drawing

株式会社 パトライト  
PATLITE Corporation

LU5-02. -W18E-2\_2