

# S P E C I F I C A T I O N S

[ General Specifications ]

Model	5 tiers	LS7-502(D/S)WC9(D/N)-△△△△△※1※2				
	4 tiers	LS7-402(D/S)WC9(D/N)-△△△△△※1※2				
	3 tiers	LS7-302(D/S)WC9(D/N)-△△△△△※1※2				
	2 tiers	LS7-202(D/S)WC9(D/N)-△△△△△※1※2				
UL Registered Model		LS7-_02(D/S)WC (Tower only)				
Rated Voltage		DC24V				
Operating Voltage Range		Rated Voltage ±10%				
Current Consumption		Per Unit				
		Red	Amber	Green	Blue	Clear
		Typ.	20mA	30mA	30mA	30mA
		Max.	35mA	40mA	40mA	40mA
Power Consumption		0.48W	0.72W	0.72W	0.72W	0.72W
Operating Amb. Temp.		-30°C to +60°C				
Operating Amb. Humidity		Less than 90% (No condensation)				
Mounting Location		Indoors				
Mounting Direction		Upright				
Protection Rating		IP69K				
Environmental Condition		Install the signal light on a sturdy and level surface				
Vibration Resistance		19.6m/s <sup>2</sup>				
Insulation Resistance		More than 1MΩ at 500VDC between the terminals and the chassis				
Withstand Voltage		500VAC applied for 1 min between terminals and chassis without breaking insulation				
Luminous Intensity		Red: more than 490mcd; Amber: more than 1140mcd; Green: more than 940mcd; Blue: more than 195mcd; White: more than 1000mcd				
Mass (Tolerance ±10%)		0.34 kg				
Outer Dimensions		Refer to the Dimension Drawing				
Conformity Standards (Tower Only) <sup>※3</sup>		UL 508, CSA-C22.2 No. 14 EMC Directive (EN 61000-6-4, EN 61000-6-2) RoHS Directive (EN 50581)				
Remarks		※1 : △=R/Y/G/B/C/N (LED Color: R=Red, Y=Amber, G=Green, B=Blue, C=Clear/White, N=Blank) ※2 : "△△△△△" is the tower's LED Color Sequence. Left to right in the part no. means top to bottom on the tower. ※3 : 1/2"NPT Mount is RoHS compliant				
Dwg No:	LS7-02WH9-PLUS (1 of 2)				Approved	Drawn:
<b>PATLITE (U.S.A.) Corporation</b>					P. Mizuki 02.Dec.'14	C. Wallace 02.Dec.'14

[ Model Number Configuration ]

LS7 - 5 0 2 D W C 9 N - R Y G B C

No. of Lighting Units  
 2 : 2 LED Tiers  
 3 : 3 LED Tiers  
 4 : 4 LED Tiers  
 5 : 5 LED Tiers

Rated Voltage  
 02 : 24V DC

Body Color  
 Blank : Off White  
 D : Dark Gray  
 S : Silver

Mounting  
 W : Direct Installation

Wiring  
 C : M12 Connector

Base Color  
 N : Natural White  
 D : Dark Gray

LED Colors in order from top to bottom (5 Tiers)  
 R : Red  
 Y : Amber  
 G : Green  
 B : Blue  
 C : Clear/White  
 N : Blank

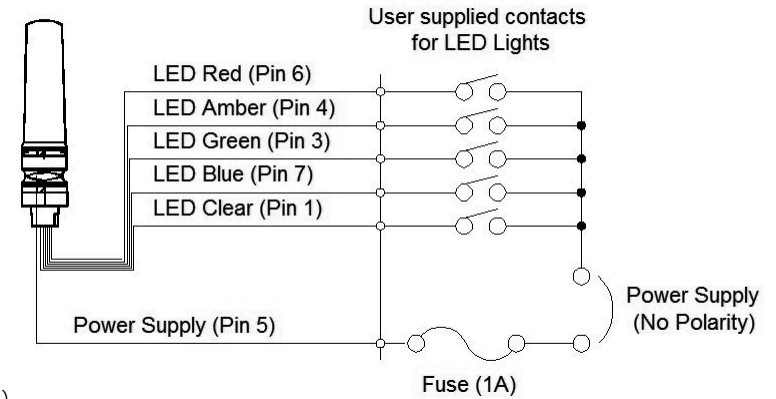


Fig. 1 : Underside (View 'A')

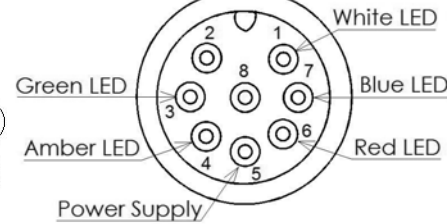
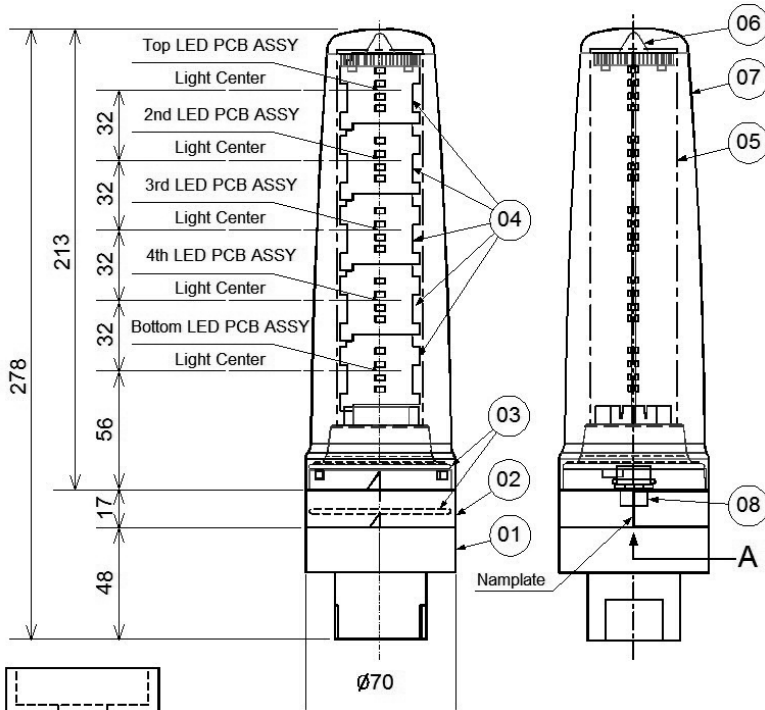
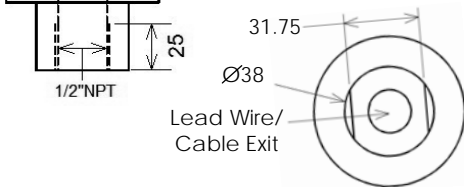
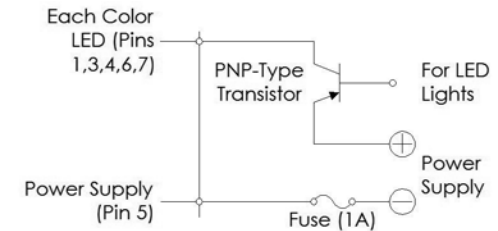
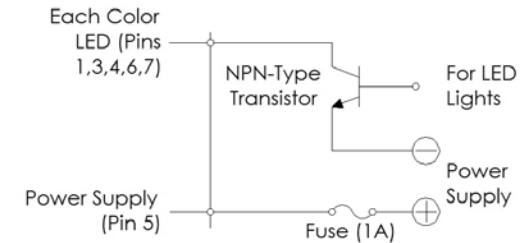


Fig. 2 : M12 Connector Pin Layout (View 'A')

Transistor Drive Examples



[ Note ]

1. The M12 connector and the alarm volume adjustment are located on the underside of the body and are accessible by removing the mount (see Fig. 1).
2. Be sure to replace the mount completely, turning until it snaps into place, to maintain the IP69K rating.
3. The cable used for connecting to the M12 connector is an optional part (separate purchase).

No.	Part Name	Qty	Material & Size & Finish	Remarks
08	M12 CONNECTOR	1	XS2M-D824-4 (OMRON)	
07	OUTER COVER	1	PC	
06	CAP	1	Silicon	
05	INNER LENS	1	PC	
04	LED PCB ASSY	5	LED Color : R,Y,G,B,C,N	
03	O-RING	2	Silicon	
02	BASE	1	Heatproof ABS, (S : Silver painting)	
01	MOUNT	1	Delrin	
Name		Model No.: LS7-□02(D/S)WC(D/N)9		
Specifications / Dimensions		Dwg No.: LS7-02WC9-PLUS (2 of 2)		
PATLITE (U.S.A.) Corporation		Units	By	Date
		mm	CW	12/02/2014

# SPECIFICATIONS

[ General Specifications ]

Model	5 tiers	LS7-502(D/S)WH9(D/N)-△△△△△※1※2				
	4 tiers	LS7-402(D/S)WH9(D/N)-△△△△△※1※2				
	3 tiers	LS7-302(D/S)WH9(D/N)-△△△△△※1※2				
	2 tiers	LS7-202(D/S)WH9(D/N)-△△△△△※1※2				
UL Registered Model		LS7-_02(D/S)WH (Tower only)				
Rated Voltage		DC24V				
Operating Voltage Range		Rated Voltage ±10%				
Current Consumption		Per Unit				
		Red	Amber	Green	Blue	Clear
		Typ.	20mA	30mA	30mA	30mA
		Max.	35mA	40mA	40mA	40mA
Power Consumption		0.48W	0.72W	0.72W	0.72W	0.72W
Operating Amb. Temp.		-30°C to +60°C				
Operating Amb. Humidity		Less than 90% (No condensation)				
Mounting Location		Indoors				
Mounting Direction		Upright				
Protection Rating		IP69K				
Environmental Condition		Install the signal light on a sturdy and level surface				
Vibration Resistance		19.6m/s <sup>2</sup>				
Insulation Resistance		More than 1MΩ at 500VDC between the terminals and the chassis				
Withstand Voltage		500VAC applied for 1 min between terminals and chassis without breaking insulation				
Luminous Intensity		Red: more than 490mcd; Amber: more than 1140mcd; Green: more than 940mcd; Blue: more than 195mcd; White: more than 1000mcd				
Mass (Tolerance ±10%)		0.34 kg				
Outer Dimensions		Refer to the Dimension Drawing				
Conformity Standards (Tower Only) <sup>※3</sup>		UL 508, CSA-C22.2 No. 14 EMC Directive (EN 61000-6-4, EN 61000-6-2) RoHS Directive (EN 50581)				
Remarks		※1 : △=R/Y/G/B/C/N (LED Color: R=Red, Y=Amber, G=Green, B=Blue, C=Clear/White, N=Blank) ※2 : "△△△△△" is the tower's LED Color Sequence. Left to right in the part no. means top to bottom on the tower. ※3 : 1/2"NPT Mount is RoHS compliant				
Dwg No:		LS7-02WH9-PLUS (1 of 2)			Approved	Drawn:
PATLITE (U.S.A.) Corporation				P. Mizuki 02.Dec.'14	C. Wallace 02.Dec.'14	

[ Model Number Configuration ]

LS7 - 5 0 2 D WH 9 N - RYGB C

No. of Lighting Units  
 2: 2 LED Tiers  
 3: 3 LED Tiers  
 4: 4 LED Tiers  
 5: 5 LED Tiers

Body Color  
 Blank: Off White  
 D: Dark Gray  
 S: Silver

Rated Voltage  
 02: 24V DC

Mounting  
 W: Direct Installation

Wiring  
 H: Lead Wire

Base Color  
 N: Natural White  
 D: Dark Gray

LED Colors in order from top to bottom (5 Tiers)  
 R: Red  
 Y: Amber  
 G: Green  
 B: Blue  
 C: Clear/White  
 N: Blank

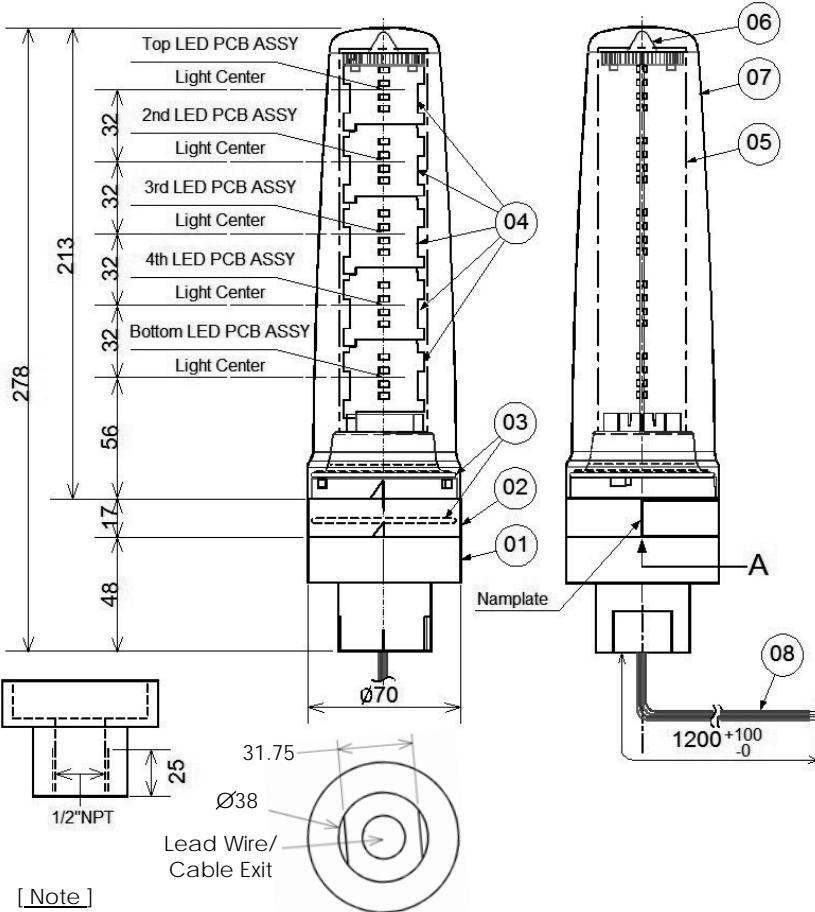
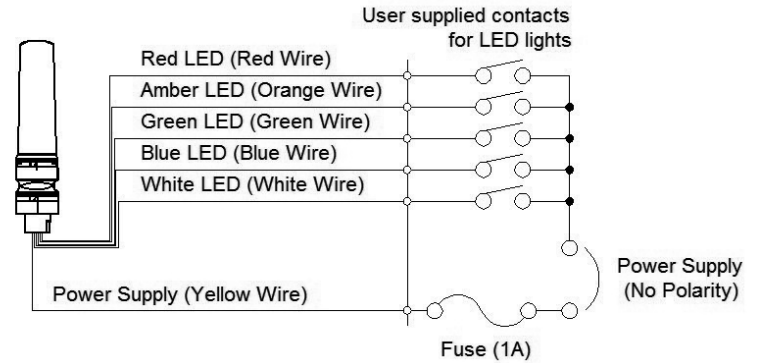
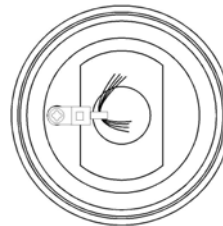


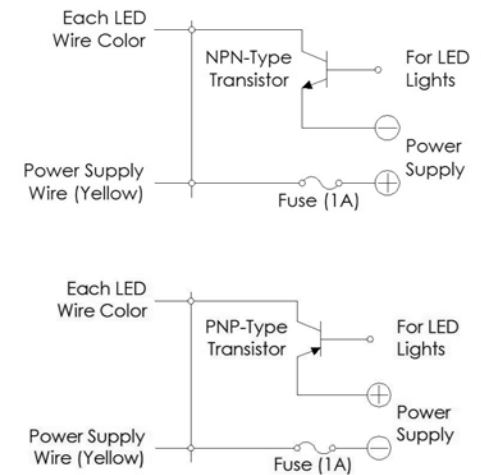
Chart 1 : Lead Wire Function

Lead Wire Color	Function
Red	Red LED
Orange	Amber LED
Green	Green LED
Blue	Blue LED
White	White LED
Yellow	Power Supply Wire

Fig. 1 : Underside (View 'A')



Transistor Drive Examples



[ Note ]

- There are no adjustments to be made by removing the mount. If the mount is removed, be sure to replace the mount completely by turning until it snaps into place to maintain the IP69K rating.
- When there are unused lead wires for the LED tiers, be sure to separately insulate the end of each unused lead wire.

No.	Part Name	Qty	Material & Size & Finish	Remarks
08	LEAD WIRE ASSY	1	UL 1007 AWG22	
07	OUTER COVER	1	PC	
06	CAP	1	Silicon	
05	INNER LENS	1	PC	
04	LED PCB ASSY	5	LED Color : R,Y,G,B,C,N	
03	O-RING	2	Silicon	
02	BASE	1	Heatproof ABS, (S : Silver painting)	
01	MOUNT	1	Delrin	

Name		Model No: LS7-□02(D/S)WH(D/N)9		
Specifications / Dimensions		Dwg No: LS7-02WH9-PLUS (2 of 2)		
PATLITE (U.S.A.) Corporation		Units	By	Date
		mm	CW	12/02/2014