

CWK

LED Light Bar



Daylight 

IP66G/67G

3meter Cable

Water and Oil resistant high-power LED Work Light with a wider illumination span.

- Made of aluminum alloy and tempered glass which is resistant to water and tooling oils.
- Special design disperses light for a wider and brighter illumination in the work space.
- The illuminance corresponds to EN1873 for safer exposure to eyes when working in the illuminated area.
- The product lineup includes a mounting bracket and two bracket options (swivel or panel mount) to adapt to various scenarios.
- Conforms to CE and RoHS requirements.
- UL Listed (File No. E306141).



The body is protected by the tempered glass which disperses the flying scrap.



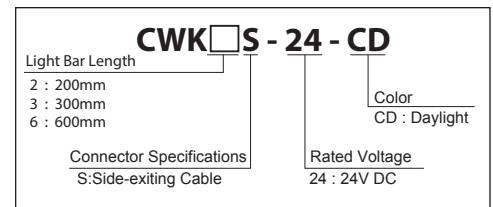
It has passed the oil resistant test from common cutting oils.

[Accelerated aging test with diluted oil at 55°C for 240 hours (10 days) sprayed onto the test object]

Specifications

Model	CWK2S-24	CWK3S-24	CWK6S-24
Luminous Color	Daylight		
Color Temperature (typ.)	6500K		
Illuminance (typ.) (at DC24V) 1.0m	600 lx	850 lx	1500 lx
Total Luminous Flux (typ.)	800 lm	1200 lm	2400 lm
Operating Voltage Range	24VDC ±10%		
Rated Current Consumption	360mA ±10%	480mA ±10%	960mA ±10%
Rated Power Consumption	8.6W	11.5W	23.0W
Operating Ambient Temperature	-10°C - +50°C		
Operating Ambient Humidity	90% RH or less, no condensation		
Main Unit Material	Body: Aluminum Alloy; Lens: Tempered Glass		
Cable Length	3 meters		
Mounting Location	Indoors		
Protection Rating	IP66G/ IP67G (JIS C0920)		
Insulation Resistance	500V DC 5MΩ or more		
Withstand Voltage	500VAC for 1 minute (Between terminals and chassis)		
Vibration Resistance	30Hz 20m/s ²		
Mass (Tolerance ±10%)	600g	750g	1230g

How to Order



Dimensions (Unit: mm)

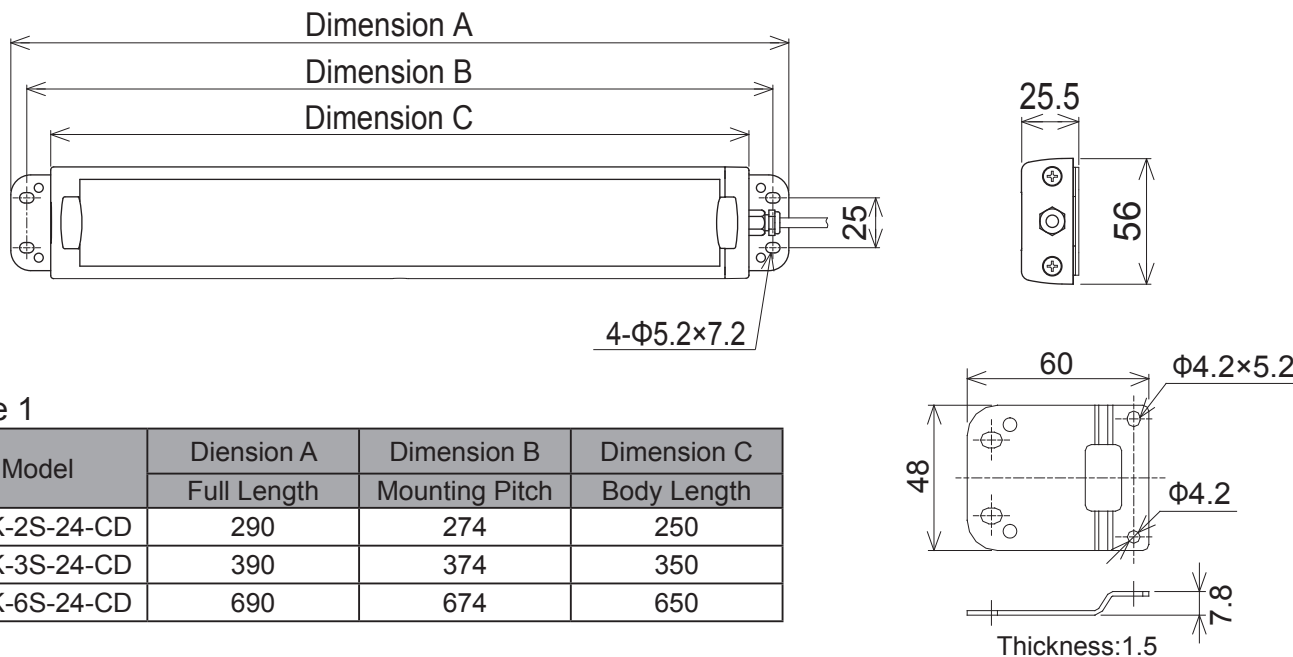
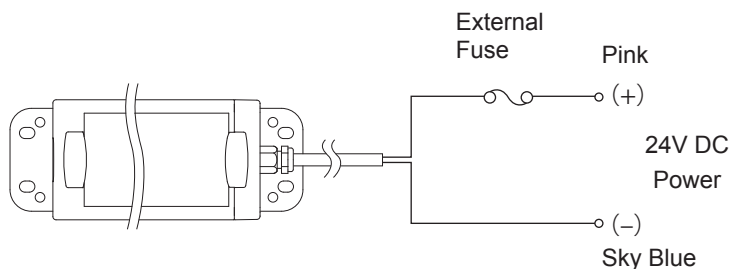


Table 1

Model	Dimension A	Dimension B	Dimension C
	Full Length	Mounting Pitch	Body Length
CWK-2S-24-CD	290	274	250
CWK-3S-24-CD	390	374	350
CWK-6S-24-CD	690	674	650

Wiring



[Enforced]

There is no protection rating for the area surrounding the tip of the cable.
To ensure insulation of water intrusion, the use of fillers (such as silicon, etc.) to plug up the tip part is recommended.

Oil Exam

It has passed the oil resistant test from the following common cutting oils.

Company	Oil Type
Hangsterfer's	Hangsterfer's S-500
Yushiro Chemical Industry Co., Ltd.	Yushiroken Synthetic #663
Castrol	Syntilo 9954
BlaserSwisslube Inc.	Blasocut BC35LFSW

Confirmation in result of swelling, contraction, dissolution, exfoliation, separation, cracks, and discoloration by the accelerated impregnation examination with the oil types indicated in the table on the left for diluted oil at 55°C for 240 hours (ten days) was made.

Due to the additive agents in oil, the application of oils other than the ones mentioned may influence physical properties, therefore, please inquire in advance.

* The mentioned company names, product names, trademarks, etc. are the registered trademarks or trademarks in Japan for each company, and/or other countries.

Standard Accessory

These brackets are included.

■ Mounting Brackets



Options

The following brackets can be used to fit various mounting applications.

■ Angle-adjustment Brackets



■ Surface-mount Brackets



NE-M1-CL7

LED Dome Signal Light



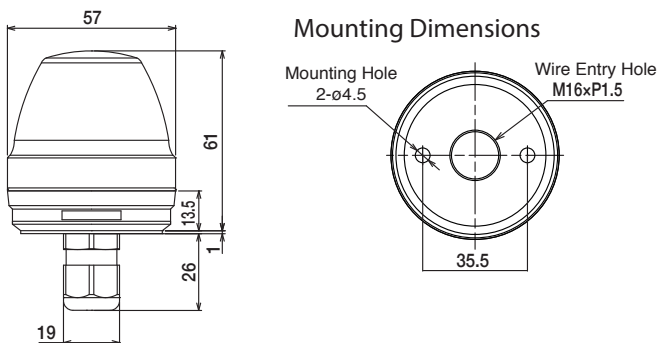
- LED 
- IP66/67
- Ø57
- NPN/PNP
Open-collector

NE-M1-CL7 Series LED Dome Signal Light; One Signal Light with 7 LED color combinations provide multiple solutions with years of maintenance-free operation.

FEATURES

- Seven multicolored LEDs.
- Low power consumption to increase energy efficiency.
- High protection rating for outdoor use.
- Color-coded wires for easy wiring.
- Applications are suitable for AGV units, small tooling machines, control panels, etc.
- One unit can make colors in Red, Yellow, Green, Blue, Light Blue, Purple and White.
- Has the CE mark and conforms to the requirements for the EC directive.

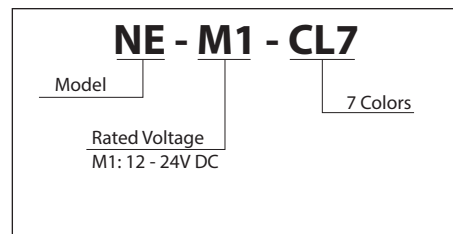
Dimensions (Unit: mm)



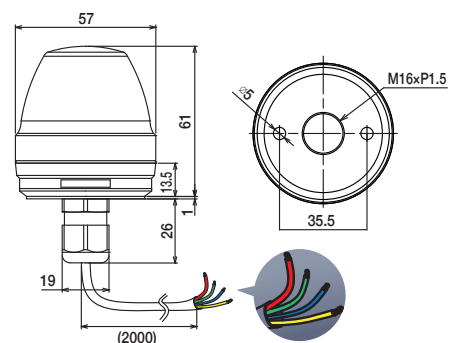
Specifications

Model	Rated Voltage	Operating Temperature Range	Operating Humidity	Protection Rating	Mass
NE-M1-CL7	12 - 24V DC	-30 C - +50 C	90% or less	IP66/IP67	55g

How to Order



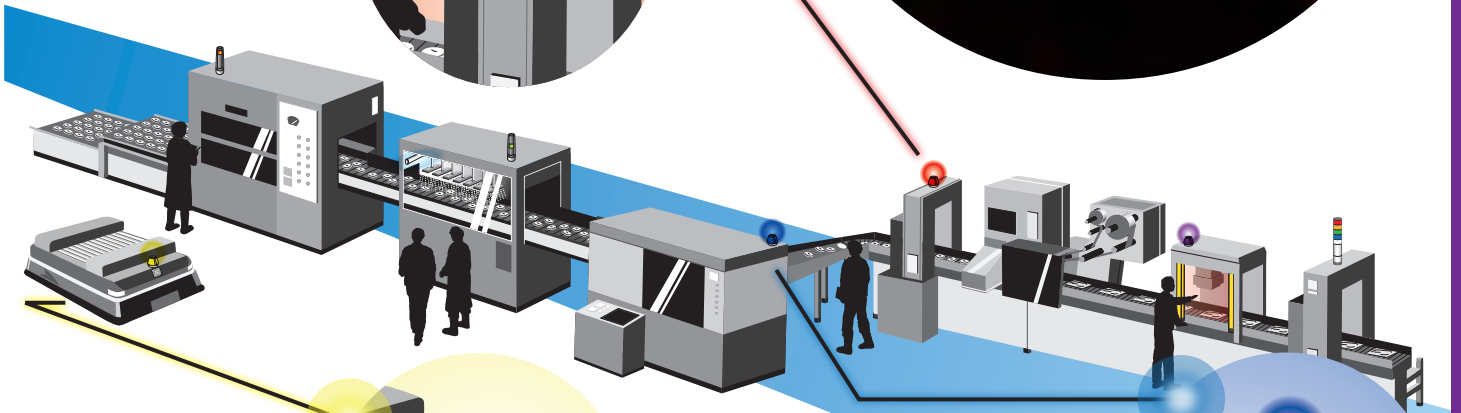
Wiring



Application Examples

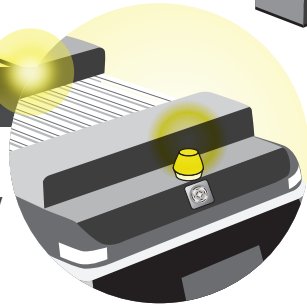
Conveyor Line

- Emergency Stop
- Error
- Operating
- Material Jammed
- Inspection
- Call Supervisor
- Ready to Start



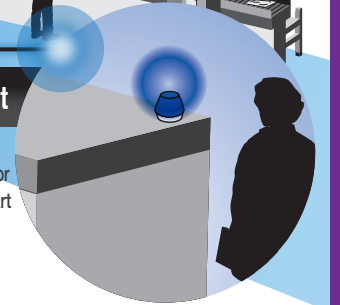
AGV

- Error
- Obstacle Detected
- Forward
- Reverse
- Turn
- Idle
- Dead Battery



Compact Equipment

- Emergency Stop
- Error
- Operating
- Out of Material
- Idle
- Call Supervisor
- Ready to Start



Diverse Color Possibilities



Compact Size



A compact design to fit with any piece of equipment.

Opaque Lens



The white colored lens displays various colors much clearer and uniformly diffuses the light source.

Environmental Resistant Characteristics



High Protection for an IP rating of 66 and 67, it can be used in environments with higher humidities and dust exposure.

Color Chart

Wiring	LED Color
RED	RED
GREEN	GREEN
BLUE	BLUE
RED/GREEN	YELLOW
BLUE/GREEN	LIGHT BLUE
RED/BLUE	PURPLE
RED/GREEN/BLUE	WHITE

Model Name	NE-M1-CL7
Rated Voltage	12V DC~24V DC
Operating Voltage Range	10 V DC~30 V DC
Operating Temperature Range	-30 °C to + 50°C (90% RH or less)
Protection Rating	IP66/IP67
Display Color	7 Colors

BSV-L

Voice Annunciator



87 dB at 1m

15 Channels (Binary)

520 Seconds

IP54

□ 75

NPN/PNP
Open-collector



Now more playback time for longer, or more messages.

FEATURES

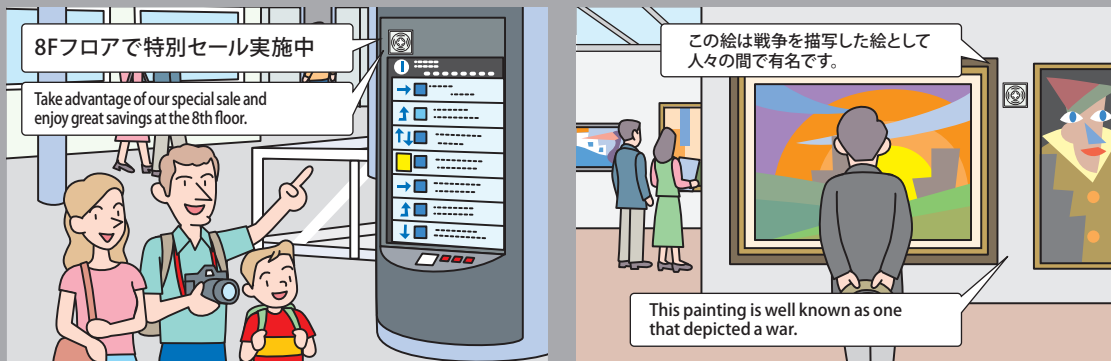
- Sound reduction
- Use the SD card to change messages while out in the field or set up modes for the right application.
- It complies with Europe's environment-friendly RoHS Directive, conforms to the CE requirements and UL Listed.
- Can be used with transistor driven inputs. (Either NPN or PNP)
- A compact design with only a thickness of 19.9mm.
- Two installation choices of panel or wall mount with a Protection Rating of IP54 (Only for front panel mount attachment).
- The volume control is accessible from the front with maximum output of 87dB (at 1m).

Use it for multilingual messages

- Scene: Stores, Hotels, public transportation, tourist resort spots
- Application: Announce Events, Emergency Service, Museums, etc.

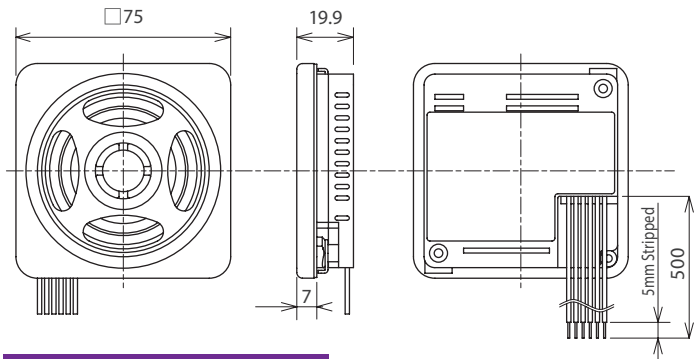


With a four-language playback, it gives 4 times as many messages.

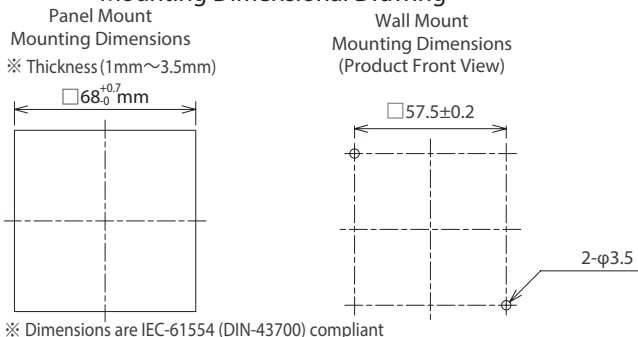


The support for multilingual communication is increasing due to the improvement in service at commercial establishments, such as for transportation, tourist resort, etc. and the audio assistance has been increased by more languages, such as Japanese, English, Chinese and Korean; therefore about 4 times the amount of playback time is needed. With the BSV-L model, a maximum of 520 seconds in playback is easy to support several multilingual messages.

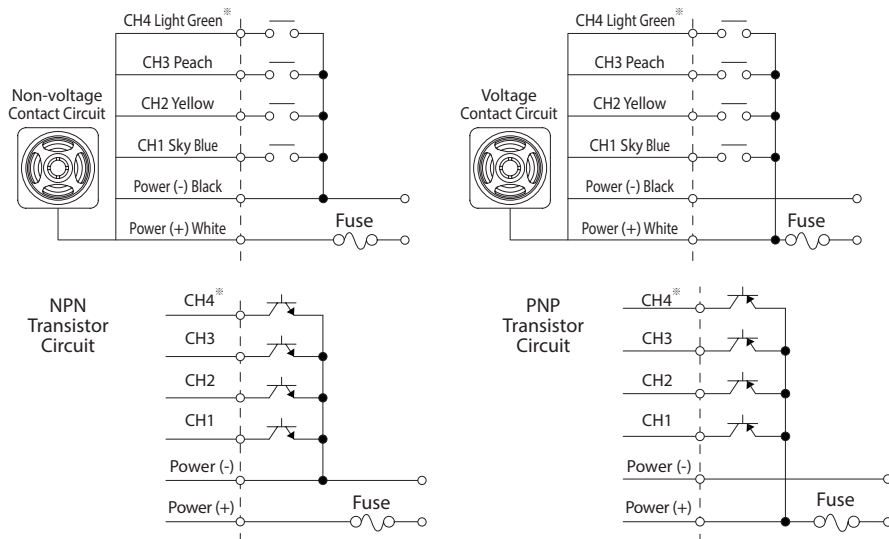
Dimensions (Unit: mm)



Mounting Dimensional Drawing



Wiring

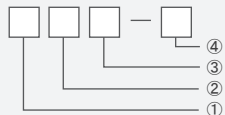


Specifications and How to Order

■ 520sec. Model

Specifications																					
Model	Transistor Type	Rated Voltage	Operating Voltage Range	Power Consumption	Sound Level	Operating Temperature Range	Max. Playback Time	Playback Channels	Protection Rating	Mass	Front Cover Color	Recorded Data									
BSV-24NLM-W/D	NPN Transistor	DC 12-24V	DC10.8V to 26.4V	3.5W	Max. 87dB (at 1m) 1kHz Sine Wave	-10°C to +50°C (RH 85% or less)	520sec.	4 (Bit Input) 15 (Binary Input) ※When using the Sound Reduction Function, the inputs become: 3 (Bit Input) 7 (Binary Input)	IP54 (Only for Panel Mount in the Upright Position) In accordance with IEC 60529	100g ±10%	Off white (-W) Dark Gray (-D)	Voice									
BSV-24NLM-S											Silver (-S)										
BSV-24NL-W/D											Off white (-W) Dark Gray (-D)	Alarm									
BSV-24NL-S											Silver (-S)										
BSV-24PLM-W/D	PNP Transistor										DC 12-24V	DC10.8V to 26.4V	3.5W	Max. 87dB (at 1m) 1kHz Sine Wave	-10°C to +50°C (RH 85% or less)	520sec.	4 (Bit Input) 15 (Binary Input) ※When using the Sound Reduction Function, the inputs become: 3 (Bit Input) 7 (Binary Input)	IP54 (Only for Panel Mount in the Upright Position) In accordance with IEC 60529	100g ±10%	Off white (-W) Dark Gray (-D)	Voice
BSV-24PLM-S																				Silver (-S)	
BSV-24PL-W/D																				Off white (-W) Dark Gray (-D)	Alarm
BSV-24PL-S																				Silver (-S)	

BSV-24



- ① Transistor Type
N : NPN Transistor
P : PNP Transistor
- ② Playback Time
L : 520 sec.
Blank : 63 sec.
- ③ Registered Messages
Blank : None (15 Alarm Sounds)
M : Pre-recorded Messages
- ④ Front Cover Color
W : Off white
D : Dark Gray
S : Silver



With the built-in SD card slot, MP3 data rewriting can be done with an SD card. In addition, rewriting or editing MP3 data files is possible with or without the exclusive PATLITE Playlist Editor 2 Application software.

Options

PATLITE Playlist Editor 2
(Free Download)

SD Card
(2 GB)
SDV-2GP

(OS: Windows® 2000/XP/Vista/Windows 7/Windows 8)

- > The new PATLITE Playlist Editor 2 is required to change the audio message data for this product.
- > The SD Card does not contain any data.



LU7-USB



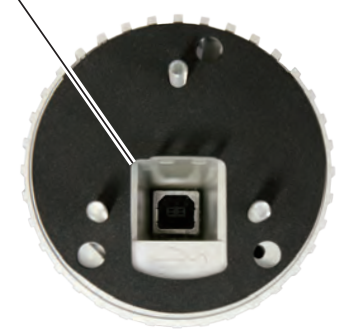
Signal Tower



- LED
- 80 dB at 1m
- IP65
- Ø70
- USB



USB connector (Type B)



[Bottom View]
(USB Cable Not Included)

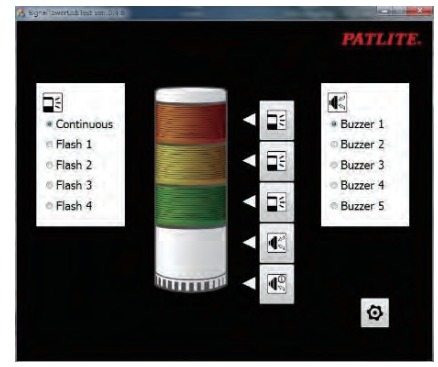
USB powered Base Module with Integrated Alarms

FEATURES

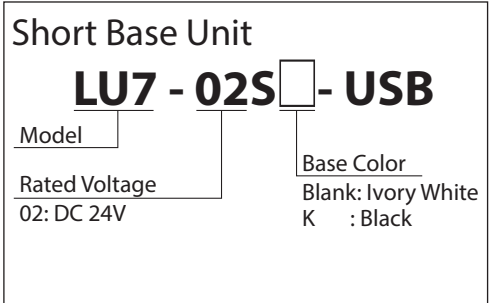
- USB Bus Power - no power supply needed
- DLL Operable
- Supports a maximum of five tiers where three tiers can be lighted simultaneously
- Complies with CE/RoHS/FCC/CK Standards
- IP65 protection rating
- Adjustable alarm frequency
- Two levels of adjustable alarm sounds
- Sound pressure at a maximum of 80dB
- Four kinds of flashing patterns
- 13 variable alarm frequencies and five alarm sound patterns
- Vinyl strip to secure USB cable included (Cable not included)
- Supports Windows 7 and Windows 8 Operating Software

Free Downloadable Software

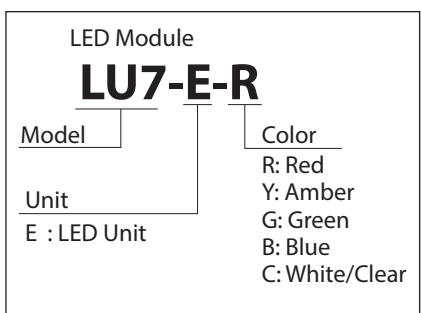
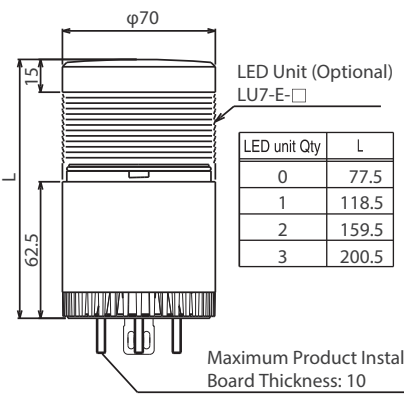
The Controllable Program is downloadable from the PATLITE website (<http://global.patlite.com/>)



How to Order



Dimensions (Unit: mm)



Application Example

Printing Machines





LU7-LB

LU7-LB

Signal Tower



4 Sounds

100dB at 1m

IP40

Ø70

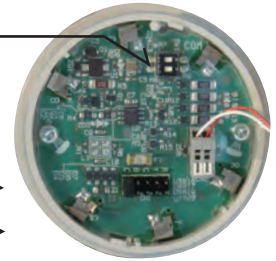
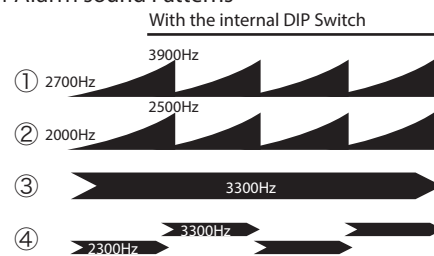
NPN
Open-collector

Loud, multi-sound Module (LU7-LB)

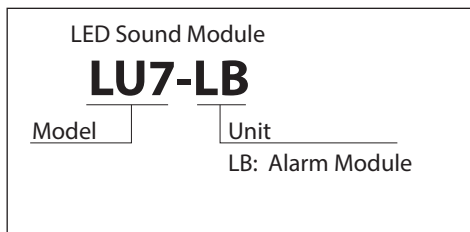
FEATURES

- Loud sound pressure up to 100dB (±5dB)
- Four kinds of alarm sounds can be selected with a DIP switch for a wider alarm sound range
- IP40 Protection rating
- Complies with CE/RoHS/FCC Standards
- Can be used with LU7-02(FB), LU7-M2(FB), and LU7-02S(B)
- Alarm can be set to sound with a specific LED module for simultaneous control

4 Alarm sound Patterns



How to Order



Stackable audible alarm

- Can be used with LU7-02(FB), LU7-M2(FB), and LU7-02S(B).
- Easily mounted at the top of the light stack.

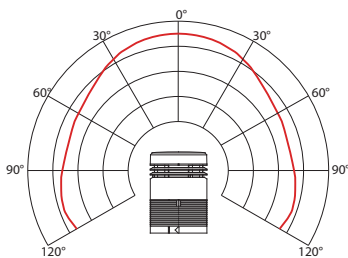
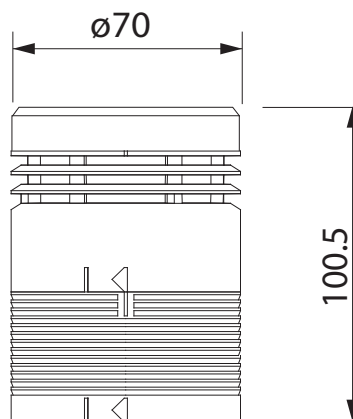


Diagram 1. Sound Direction

Dimensions (Unit: mm)



Specifications

Model	Type	Rated Voltage	Rated Current	Power Consumption	Mass
LU7-LB	Alarm Sound	DC 24V	150mA	-	140g