

Non contact coded safety switches - Non stand-alone operation

MASSIMOTTO ANA78S.2 M12

- Decoding by „ACOTOM[®]2 Process
- LED status display of the correct code recognition
- Very easy daisy chain around a machine or on modular elements thanks to the double M12 connector
- Option double emitter for double hinge-doors
- NC auxiliary output



MASSIMOTTO ANA78S.2M12

MASSIMOTTO ANA78S.2M12 D



NORMS AND STANDARDS

STAND ALONE SAFETY SWITCHES

NON STAND ALONE SAFETY SWITCHES

ELECTROMAGNETIC LOCKING

SAFETY RELAYS

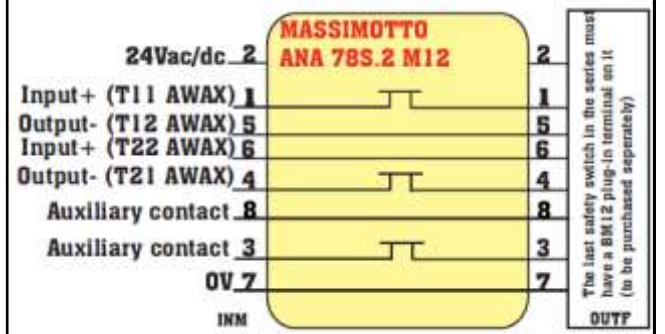
EX SOLUTION

CODED AND NON-CONTACT SOLENOID INTERLOCKING

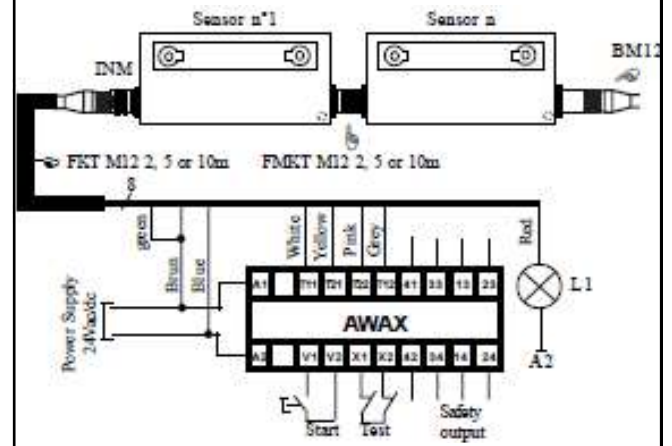
Technical datas

Switching distance Sn (closing):	8
Switching distance Sn (opening):	-
Hysteresis/Misalignment:	+ 3mm
Power supply:	24V AC/DC; -15% / +10%; 50/60Hz
Current consumption:	42 mA/DC; 70 mA/AC
Safety outputs:	2 static outputs ;24V DC/500mA @ 25°C
Auxiliary output:	1 PNP/NC 250mA
Coding principle	ACOTOM [®] 2
Temperature operation:	-20°C to +60°C
Max. switching frequency:	500µs
Resistance to vibration:	30 g / 11 ms
Shock stress	10-55 Hz, 1,5 mm
Protection class:	IP67
MTTFd/DC	430 years / 94%
Housing:	Polycarbonate, yellow
Connection:	2 built-in connectors M12; 8-pin
Standards:	EN60947-5-3, EN954-1, EN13849-1, EN55022, EN61000-6-2; 01/2006; EN61000-6-4; 03/2007
Electromagnetic immunity :	Acc. to IEC 61000-6-2, acc. to IEC 61000-6-4
Weight Emitter/Receiver:	66g /163g
Safety classification:	
Acc. to EN ISO 13849-1	1 switch up to PLe cat.4
	Serie wiring possible with 30 switches on a safety relay, up to PLe cat.3
Certification:	CE

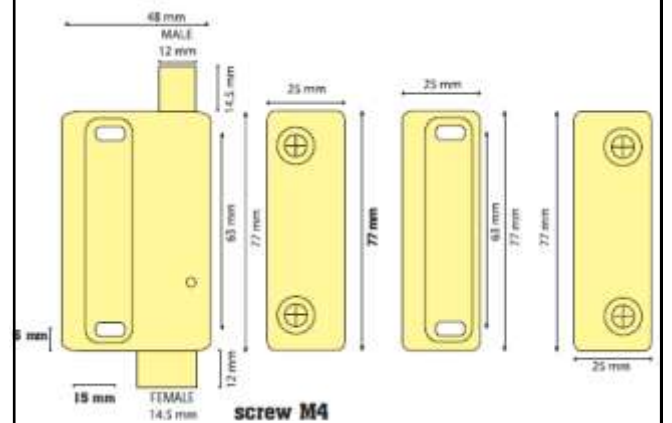
Wiring diagram



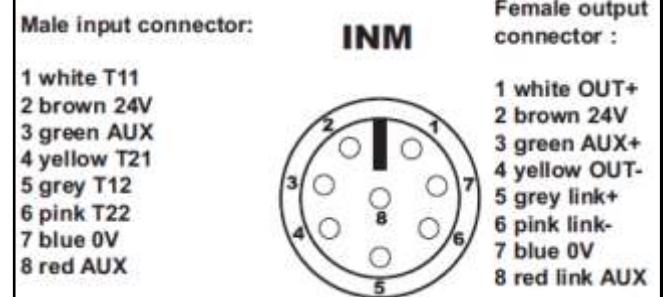
Application exemple



Dimensions



Pin connection



Ordering-Nr. MASSIMOTTO/ANA78S.2M12
MASSIMOTTO/ANA78S.2M12/D