

# Barcode Line Scanner

CCD Array

## BLN0L1R10

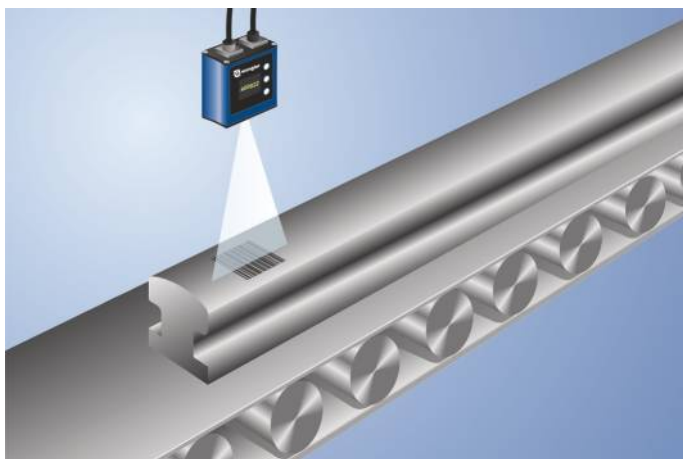
Part Number

Ethernet



- Compact housing
- Ethernet TCP/IP
- LED display indicates "good read"
- Red light
- Web server and graphic display for simple operation

This barcode scanner is suitable for reading 1D codes, which are printed or lasered on glossy materials. Even with slight contrast differences and poor code quality this scanner operates reliably. Readable code types: Standard Code39, Full ASCII Code39, Interleaved 2 of 5, China Postal Code, Codabar, Code32, MSI Plessey Code, Code11, Industrial 2 of 5, Matrix 2 of 5, Telepen Code, UK Plessey Code, IATA Code, Code93, EAN13, EAN8, UPC-A, UPC-E, Code128, UCC/EAN-128, RSS-14, RSSLimited.



### Technical Data

Optical Data	
Barcode Density	Low density
Read Range	35...320 mm
Resolution	0,101 mm
Light Source	Red Light
Wavelength	660 nm
Service Life (T = +25 °C)	100000 h
Max. Ambient Light	7000 Lux
Opening Angle	35 °
Barcode Printing Contrast	> 45 %

Electrical Data	
Supply Voltage	18...30 V DC
Port Type	100BASE-TX
Current Consumption (U <sub>b</sub> = 24 V)	< 100 mA
Scan Rate	530 scans/sec
Temperature Range	-20...50 °C
Inputs/Outputs	4
Switching Output Voltage Drop	< 2,5 V
PNP Switching Output/Switching Current	100 mA
Short Circuit Protection	yes
Reverse Polarity Protection	yes
Overload Protection	yes
Network Possibilities	Ethernet
Interface	RS-232/Ethernet
Protection Class	III

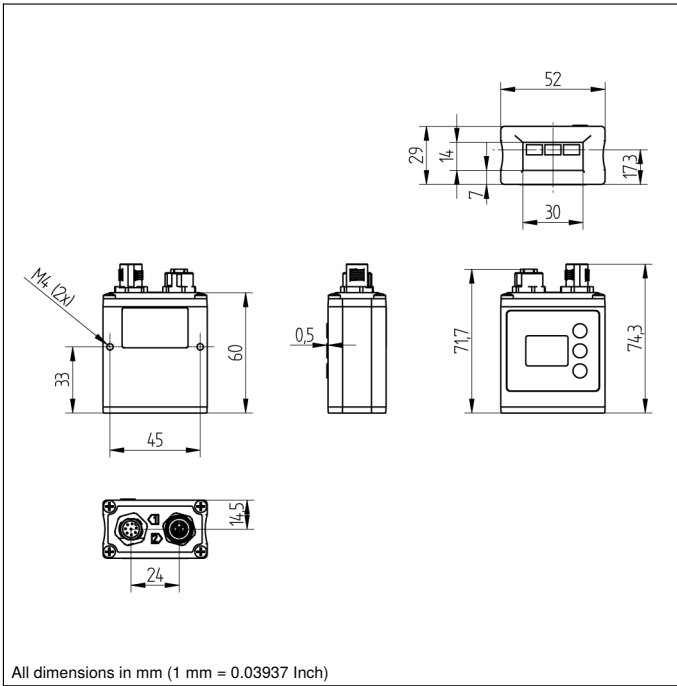
Mechanical Data	
Housing Material	Aluminum
Weight	130 g
Degree of Protection	IP67
Connection	M12 × 1; 8-pin
Type of Connection Ethernet	M12 × 1; 8-pin, X-cod.
Web server	yes

Configurable as PNP/NPN/Push-Pull	<input checked="" type="radio"/>
Switchable to NC/NO	<input checked="" type="radio"/>
Connection Diagram No.	002   786
Control Panel No.	X2
Suitable Connection Equipment No.	50   89
Suitable Mounting Technology No.	560

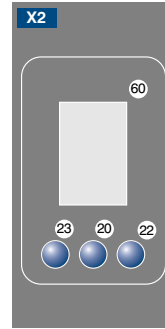
Display brightness may decrease with age. This does not result in any impairment of the sensor function.

### Complementary Products

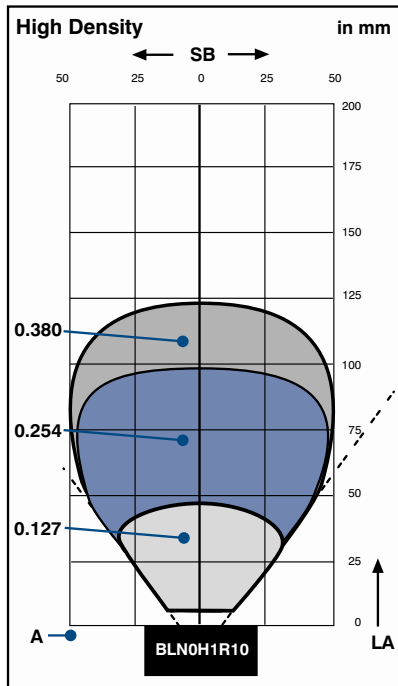
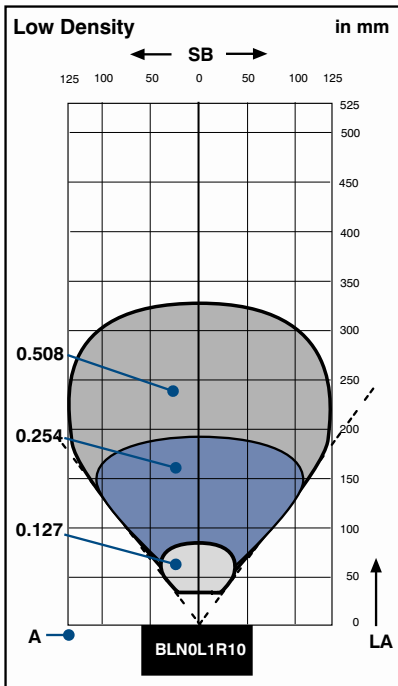
Fieldbus Gateway ZAGxxxN01, EPGG001  
Protective Housing ZNNS001, ZNNS002



**Ctrl. Panel**



- 20 = Enter Button
- 22 = UP Button
- 23 = Down Button
- 60 = Display



A = Resolution LA = Read Range SB = Scan Width

