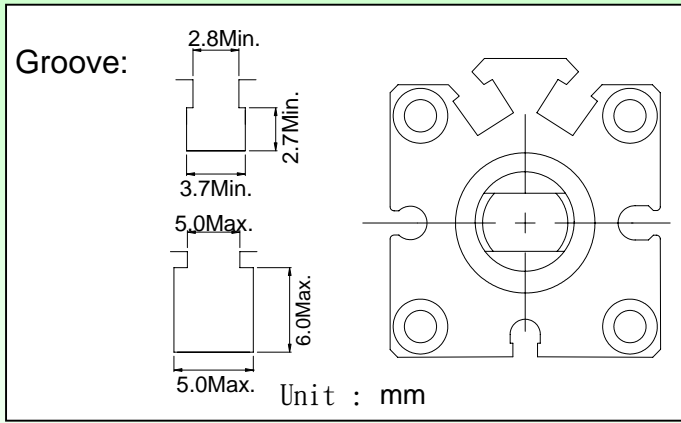


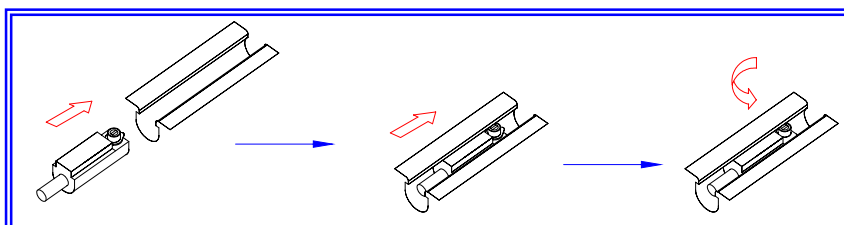
# FK-01 Series:



## Instance

Brand	SMC Bimba	Air Tac	Festo	Koganei
Groove				
Fixed Angle				
Figures				
Brand	Koganei	Nok	New-Era	New-Era
Groove				
Fixed Angle				
Figures				

## How to use:



# Specification

Type	FK - 01R	FK - 01N	FK - 01P	FK - 01RN	FK - 01RP
Characteristics					
Wiring	2Wire	3 Wire			
Connect Diagram					
Switching logic	Normally open	Solid state output, Normally open		Normally open	
Output	Reed switch	NPN Sinking	PNP Sourcing	Reed switch	
Lead wire type	Horizontal				
Load voltage	5 ~ 120V DC/AC	4.5~28V DC			
Load current	100mA Max.	50mA Max.			
Current consumption	---	10mA Max. @ 24V		5mA @ 24V	
Voltage drop	2.5V Max.	0.5V Max. @ 50mA (Resistive load)		0.1V Max.	
Leakage current	---	50 μ A Max.		---	
Frequency	200Hz	1000Hz		200Hz	
Shock	30G	50G		30G	
Vibration	90 m/s <sup>2</sup> (9G), Double amplitude 1.5 mm				
Insulation resistant	DC 500V 100MΩ (Lead wire to case)				
Withstand voltage	AC 1000V (50/60Hz) 1minute (Lead wire to case)				
CE & Protection IP	EN60947-5-2		IEC529	IP67(NEMA 6)	
Indicator	Red LED				
Cable	2.6 φ ,2C,Gray Pur	2.6 φ ,3C,Black Pur			
Temperature range	-10 ~ 70°C				
Protection circuit	---	Reverse polarity; Surge suppression		---	
Dimensions	Reed Switch: FK-01R FK-01R-QD8 FK-01R-QD12		Solid N: FK-01N FK-01N-QD8 FK-01N-QD12		Solid P: FK-01P FK-01P-QD8 FK-01P-QD12
M8&M12-Connector	2-Wire QD Link		2-Wire E-QD Link		3-Wire QD Link