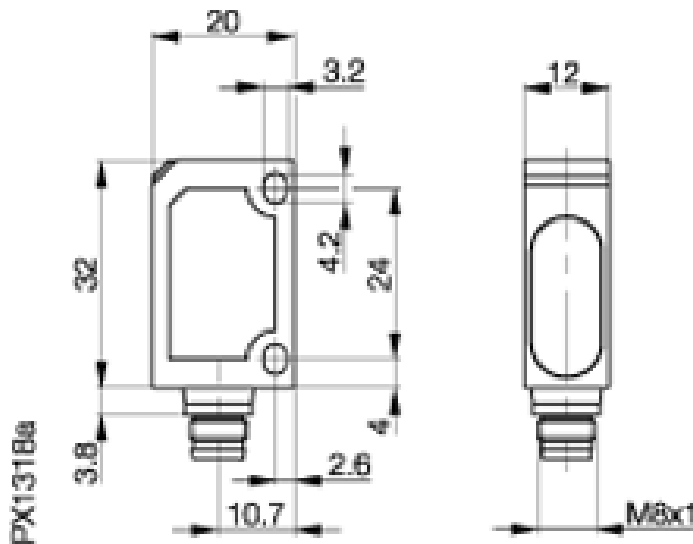


# BOS 6K-PU-1HA-S 75-C

Photoelectric Sensors,  
Diffuse

PNP  
NO/NC



### Electrical data:

Connection	connector S75 (M8, 4-pin)
Rated insulation voltage (Ui)	250 AC
Load capacitance max	0,33 µF
Switching output	PNP
Switching element function	NO/NC
Operating frequency (f)	800 Hz
supply current I <sub>o</sub> max. at U <sub>e</sub>	35 mA
Off Time delay	1 ms
On Time delay	1 ms
Rated operational voltage min.	10 V
Rated operational voltage max.	30 V
Ripple incl.	max. 10% from UB
Voltage drop U <sub>d</sub> max. at I <sub>e</sub>	2,4 V
noload supply cur. emitter max	35 mA
noload supply current rec. max	35 mA
Switching frequ. standard beam	800 Hz
On Time delay (standard beam)	0,5 ms
Off time delay (standard beam)	1 ms

### Mechanical data:

Ambient temperature max	60 °C
Ambient temperature min	-20 °C
Sensing face material	PMMA
Housing material	ABS impact resistant
sensitivity adjustment	Teach In
weight	40 g
Range max.	100 mm
Version	32x20x12
adjusting operating dist.	Teach In

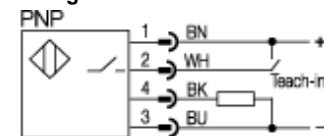
### Optical data:

Emitter type	red light
diameter of beam at sn/2	5 mm
permissible ambient light	5000

### General data:

Supply voltage indication	yes, green LED
Function indication	yes, yellow LED
Degree of protection IP	IP 67
Polarity reversal resistant	yes
sensitivity adjustment	Teach In
Voltage drop at 100mA max.	2,4 V
On / off delay	1
Type	Diffuse, Background suppression

### Wiring



### Pinout

