



ENCLOSURE FOR COMMAND DEVICES, 22MM, ROUND, ENCLOSURE MATERIAL METAL, ENCLOSURE TOP PART YELLOW, 1 COMMAND POSITION, A=EMERG. STOP MUSHR. PUSHBUTTON RED, 40MM, ROTATE-TO-UNLATCH, 1NC, SCREW CONNECTION, FLOOR MOUNTING, 1 X M20 EACH AT TOP AND BOTTOM !!! Phased-out product !!! SIRIUS ACT 3SU1 is successor Preferred successor type is >>3SU1851-0NA00-2AA2<<

Enclosure	
design of the housing	Enclosure for command and signaling devices with standard equipment
shape of the enclosure front	Square
material of the enclosure	metal
number of command points	1
product component protective collar	No
color of the enclosure top part	yellow
delivery state	
• as a kit	No
• pre-wired on strip terminal	No
fastening method of the enclosure	Vertical
Actuator	
design of the actuating element	Emergency stop mushroom pushbutton
product feature	
• lockout	No
product extension optional light source	No
color of the actuating element	red
material of the actuating element	metal
type of unlocking device	rotate-to-unlatch mechanism
Front ring	
product component front ring	No
Holder	
material of the holder	Metal
Contact block/ lampholder	
number of lampholders	0
number of switching elements	1
General technical data	
product function	
• positive opening	Yes
• EMERGENCY OFF function	Yes
• EMERGENCY STOP function	Yes
product component	
• light source	No
• stand/pedestal	No
type of voltage of the operating voltage	AC/DC
protection class IP	IP67
vibration resistance according to IEC 60068-2-6	20 ... 200 Hz: 5g
reference code according to IEC 81346-2	S
Substance Prohibition (Date)	07/01/2006
operating voltage	
• at AC	

<ul style="list-style-type: none"> <li>— at 50 Hz rated value</li> <li>— at 60 Hz rated value</li> <li>• at DC rated value</li> </ul>	5 ... 400 V 5 ... 300 V 5 ... 230 V
<b>operating voltage 1</b>	
<ul style="list-style-type: none"> <li>• at AC               <ul style="list-style-type: none"> <li>— at 50 Hz rated value</li> <li>— at 60 Hz rated value</li> </ul> </li> <li>• at DC rated value</li> </ul>	400 V 300 V 230 V
<b>Auxiliary circuit</b>	
<b>number of NC contacts for auxiliary contacts</b>	1
<b>number of NO contacts for auxiliary contacts</b>	0
number of CO contacts for auxiliary contacts	0
<b>operational current at AC-12</b>	
<ul style="list-style-type: none"> <li>• at 24 V rated value</li> <li>• at 48 V rated value</li> <li>• at 110 V rated value</li> <li>• at 230 V rated value</li> <li>• at 400 V rated value</li> </ul>	10 A 10 A 10 A 10 A 10 A
<b>operational current at AC-15</b>	
<ul style="list-style-type: none"> <li>• at 24 V rated value</li> <li>• at 48 V rated value</li> <li>• at 110 V rated value</li> <li>• at 230 V rated value</li> <li>• at 400 V rated value</li> </ul>	6 A 6 A 6 A 6 A 3 A
<b>operational current at DC-12</b>	
<ul style="list-style-type: none"> <li>• at 24 V rated value</li> <li>• at 48 V rated value</li> <li>• at 110 V rated value</li> <li>• at 230 V rated value</li> </ul>	10 A 5 A 2.5 A 1 A
<b>operational current at DC-13</b>	
<ul style="list-style-type: none"> <li>• at 24 V rated value</li> <li>• at 48 V rated value</li> <li>• at 110 V rated value</li> <li>• at 230 V rated value</li> </ul>	3 A 1.5 A 0.7 A 0.3 A
<b>Connections/ Terminals</b>	
<b>type of electrical connection on enclosure</b>	Cable routing above and below, both 1 x M20
<b>tightening torque of the screws in the bracket</b>	1.4 ... 1.6 N·m
<b>Safety related data</b>	
B10 value with high demand rate according to SN 31920	100 000
<b>proportion of dangerous failures</b>	
<ul style="list-style-type: none"> <li>• with low demand rate according to SN 31920</li> <li>• with high demand rate according to SN 31920</li> </ul>	20 % 20 %
failure rate [FIT] with low demand rate according to SN 31920	100 FIT
<b>Ambient conditions</b>	
<b>ambient temperature</b>	
<ul style="list-style-type: none"> <li>• during operation</li> <li>• during storage</li> </ul>	-25 ... +70 °C -40 ... +80 °C
environmental category during operation according to IEC 60721	3K6
<b>Installation/ mounting/ dimensions</b>	
fastening method of contact blocks, socket, and accessories	Floor mounting
<b>height</b>	85 mm
<b>width</b>	85 mm
<b>depth</b>	65 mm
<b>shape of the installation opening</b>	round
<b>mounting diameter</b>	22 mm
<b>Accessories</b>	
<b>number of labels</b>	0
<b>number of backing plates</b>	0
<b>product component holder for 3 switching elements</b>	No
<b>Certificates/ approvals</b>	



Marine / Shipping

other



[Confirmation](#)

Further information

Information- and Downloadcenter (Catalogs, Brochures,...)

<https://www.siemens.com/ic10>

Industry Mall (Online ordering system)

<https://mall.industry.siemens.com/mall/en/en/Catalog/product?mlfb=3SB3801-2DG3>

Cax online generator

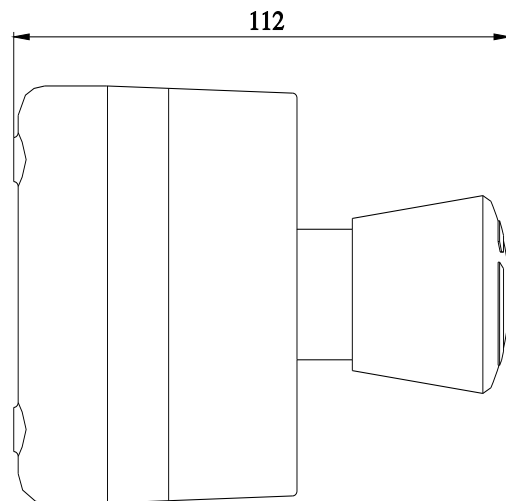
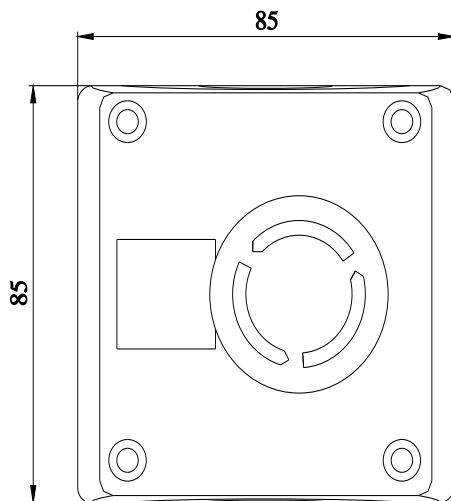
<http://support.automation.siemens.com/WWW/CAXorder/default.aspx?lang=en&mlfb=3SB3801-2DG3>

Service&Support (Manuals, Certificates, Characteristics, FAQs,...)

<https://support.industry.siemens.com/cs/ww/en/ps/3SB3801-2DG3>

Image database (product images, 2D dimension drawings, 3D models, device circuit diagrams, EPLAN macros, ...)

[http://www.automation.siemens.com/bilddb/cax\\_de.aspx?mlfb=3SB3801-2DG3&lang=en](http://www.automation.siemens.com/bilddb/cax_de.aspx?mlfb=3SB3801-2DG3&lang=en)



last modified:

1/18/2021