

MIRO 6.2 pluggable Plug-in module Optocoupler

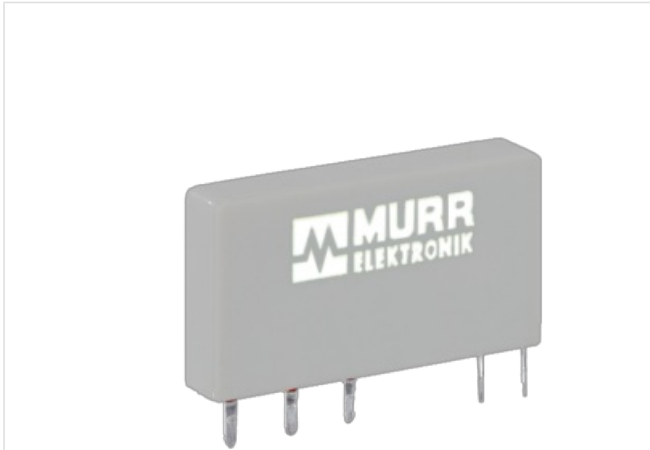
IN: 24 VDC - OUT: 24 VDC / 6 A

Transistor 6 A

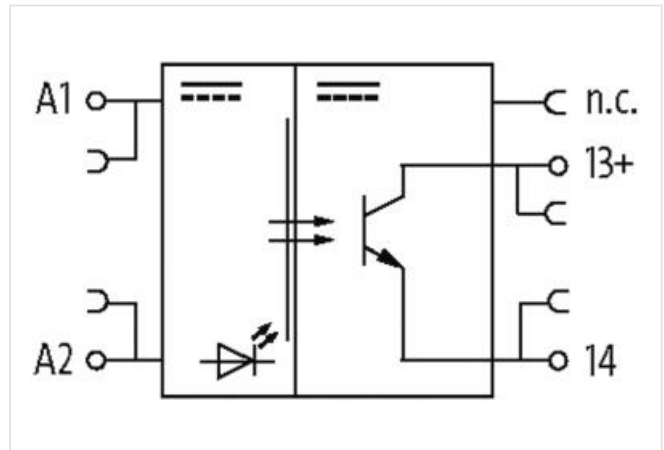
24 V DC

[Link to Product](#)

Illustration



Product may differ from Image



Input

Connection voltage - current	24 V DC (18...30 V DC) - 9 mA
LED display	LED (yellow)

Output

Switching time ON/OFF	15/31 μ s
Saturation voltage (across output)	max. 240 mV
Switching voltage	3...30 V DC
Switching frequency	max. 500/50 Hz (resist./ind.)
Switching current per output	10 mA...6 A

General data

Mounting method	pluggable
Temperature range	-25...+50 °C
Test isolation voltage	50 V
Surge voltage resistance	2.5 kV
Protection	IP20
Dimensions HxWxD	15x5x28 mm